

BACKUP HAS ARRIVED!



Fleet and Commercial

Because there's no other business like yours.™

CAUTION

- Care must be taken during customer installation of equipment and wiring to ensure that all holes drilled in the body are corrosion protected, properly sealed and that vehicle wiring harnesses, piping or other components have not been displaced or damaged. After market equipment installers must be mindful of applicable Federal Motor Vehicle Safety Standards. This information can be obtained directly from the National Highway Traffic Safety Administration.
- These vehicles are equipped with an Air Bag System. The sensors for this system must not be relocated to accommodate the installation of customer furnished equipment; please refer to the service manual for sensor locations. For information concerning instrument panel top pad mounted equipment, see the Air Bag Information section in this catalog.
- This catalog is not updated during the model year and should not be used for ordering purposes. It is intended as a source of basic information. All illustrations and specifications in this literature are based on the latest product information available at the time of publication. General Motors reserves the right to make changes at any time without notice. For further details, consult your local dealer.
- A note about vehicle alterations by independent suppliers: This catalog shows pictures of vehicles that have been altered or upfitted with equipment, bodies or components supplied to Chevrolet or its dealers by independent suppliers. Chevrolet is not responsible for the safety or quality of design features, materials or workmanship of any alterations by any such supplier.



Impala 9C1 Police Package

CHEVROLET IMPALA 4-DOOR SEDAN 9C1 POLICE PACKAGE - MARKED PATROL

Some standard equipment may be replaced by special equipment when the police package 9C1 is ordered.

This Vehicle Has Been Designed for Police Work Up to and Including High Speed Emergency Vehicle Operations.

STANDARD EQUIPMENT SUMMARY:

WARRANTY 3 years / 36,000 miles

INTERIOR FEATURES

AIR CONDITIONING	Dual Zone with Environmentally Friendly Refrigerant (R134a)
SPEEDOMETER/CLUSTER	Analog, Certified (1 mph increments) with Digital Trip Odometer. Warning Lights and Message Center (See message center diagram on Page 20)
FLOOR COVERING	Carpeting Front and Rear (Carpeted Mats Must be Ordered - Option B34)
GLASS	Tinted, Solar Windshield and Backlight, Solar Ray Side Glass
LIGHTING	Auxiliary, Interior, Sustained Illumination
LOCKS	Power (Remote keyless entry not available)
MIRRORS	Visor, LH and RH with Covered Vanity Mirrors, Extenders
RADIO	Electronically Tuned AM/FM Cassette Stereo Radio w/Seek-Scan, Digital Clock, and Extended Range Front and Rear Speakers with Integrated Rear Window Antenna
RESTRAINT SYSTEM	Seat Belts with Driver and Passenger Frontal Air Bags, Plus Driver Seat Side Impact Air Bag
SEATS	Heavy-Duty Front Bucket Seats with Seat Back Security Panel (No Console Between Seats) 6-Way Power Driver's Seat with Manual Reclining Seat Backs and Manual Lumbar Control with Driver Side-Impact Air Bag. Front Passenger has Manual Reclining and Lumbar. Heavy-Duty Rear Seat Cushion, Seat Back and Trim
STEERING WHEEL	Adjustable Tilt Steering Column, Column Mounted Gear Shift Lever
TRUNK MAT	Heavy-Duty (Available Only with Compact Spare Tire)
TRUNK RELEASE	Electric (Not ignition controlled), Button Located Lower Instrument Panel, Left of Steering Column and Manual Inside Trunk Safety Release
WARNING LIGHTS	Brake, Seatbelt, Air Bag, Anti-lock Brake and Check Engine
WINDOWS	Power, with Rear Window Lockout Switch

EXTERIOR FEATURES

PAINT	Base Coat/Clear Coat
BODY PANELS	Two-Sided Galvanized Steel for All Exterior Body Panels (Except Roof Where Not Needed)
LIGHTS	Daytime Running Lamps (See Switch, Surveillance Mode on Page 19)
WIPERS	Intermittent with High Speed Anti-lift Wiper System on Driver Side
DEFOGGER	Rear Window
KEYS	Single Key Locking System; One Key Operates Ignition and All Locks, Random Key Code for Each Vehicle. For Single Key Locking System to Operate Entire Fleet (See Fleet Coded Single Key Option on Page 11)
LICENSE PLATE	Front and Rear-Mounting Screws Located in Glove Box
MIRRORS	Body Color, Electric LH and RH Remote
MOLDINGS	Integrated Body Side, Argent - Non-removable
WHEEL CENTER CAP	Chrome Bolt-on Steel

9C1 IMPALA POLICE PACKAGE - (continued)

ELECTRICAL FEATURES

SURVEILLANCE SWITCH	For Speedometer Light, Radio Display, Daytime Running Lights, Automatic Headlamps, Dome Light, Shift Position Indicator (PRNDL) and Tail Lights (See Switch, Surveillance Mode on Page 19)
POWER, TRUNK	100 Amp Auxiliary Power Outlet in Trunk
GROUND STUD	Auxiliary (Located in Trunk)
POWER, FRONT	100 Amp Ignition and Main Power Supply Wiring at Instrument Panel (See Wiring-Ignition and Main Power Supply on Page 19 For Description)
WIRING DIAGRAMS	See Impala Police Package Owner's Manual Supplement (located in glove box folder with standard owner's manual)
WIRING, HEADLAMP FLASHER	Wiring - Forward Lamp In-Line Connector with Power for Flasher
WIRING, TAIL LAMP FLASHER	Wiring - Rear Body Lamp In-Line Connector with Power for Flasher
LOCK-OUT PROTECTION	Prevents the Power Door Locks from Locking the Driver's Door if the Keys are Left in the Ignition

CHASSIS FEATURES

ENGINE	3800 Series II SFI V6 with Top Speed Fuel Cut-Off at 129 MPH Includes Wide Open Throttle Air Conditioning Cut Off. (When overhead lights, spotlights, radio antennas, sirens, and other emergency equipment are installed, overall performance may be somewhat lower.)
ENGINE CRADLE	Reinforced
ALTERNATOR	125 Amp; 96 Amp @ 725 RPM Idle (Transmission in Park or Neutral with Air Conditioning On), 124 Amp @ 1200 RPM Idle Boost, Based on Battery Voltage
BATTERY	690 CCA with Battery Rundown Protection; automatically shuts off courtesy lights (reading/map lights, visor vanity lights, trunk and glove box lights) to protect the battery. Lights are automatically turned off after 20 minutes if they are left on and the ignition is in the "off" position (Does Not Protect Customer Installed Equipment)
BRAKES	4-wheel Anti-lock Disc Brakes with Police Calibration and Heavy Duty Front Brake Pads
COOLING	Heavy-Duty (High Capacity) with Heavy-Duty Fans and Extended Life Coolant. Coolant Hoses are EPDM (Ethylene-Propylene-Diene) Rubber; Silicone Hoses are not Required
CHASSIS LUBRICATION	Lubed-for-Life Chassis
EXHAUST SYSTEM	Stainless Steel
FUEL TANK CAPACITY	17 Gallon
OIL COOLERS	Engine, Transmission and Power Steering Oil Cooler: External Air-to-Oil, Fin Type
RADIO SUPPRESSION	Extended Life - Platinum Tip Spark Plugs and Wires That are Designed to Reduce Radio Frequency Noise Levels Which May Affect Communications Equipment Including Operating Frequencies in the 38 MHz to 58 MHz Range.
STARTER INTERRUPT	Prevents the Starter from Engaging if the Driver Attempts to Start the Engine When It Is Already Running
STEERING	Power
STRUTS, FRONT	Reinforced
SUSPENSION	4-Wheel Independent, Firm Ride and Handling with Increased Ride Height Springs, Heavy Duty Front and Rear Stabilizer Bars
WHEELS	16" x 6.5" Heavy-Duty Steel
TIRES	P225/60R16 SBR Blackwall, "H" Rated with Compact Spare
TRANSMISSION	Heavy-Duty 4T65E 4-Speed Automatic, Electronically Controlled (Traction Control is Not Available on Police Package). Electronically-controlled transmission provides protection against over-revving the engine in low gear and a mechanical low gear blockout is not required. If a driver manually selects LOW gear and fails to manually upshift to HIGH gear, the Powertrain Control Module automatically protects the drivetrain.

9C1 IMPALA POLICE PACKAGE - (continued)

POWERTRAIN

ENGINE				TRANSMISSION		AXLE	
OPTION CODE	TYPE	DISPLACEMENT LITERS/CU. IN.	FUEL SYSTEM	OPTION CODE	TYPE	OPTION CODE	RATIO
L36	V6	3.8/231	Sequential Fuel Injection	MXO	4T65E 4-Speed Auto w/OD	FR9	3.29

EMISSIONS - MUST BE SPECIFIED

FE9	Emissions, Federal Requirements
NG1	Emissions, New York or Vermont State Requirements
NE1	Emissions, Massachusetts or Maine State Requirements
YF5	Emissions, California State Requirements
NB8	Emissions Override, California, New York, Massachusetts or Maine (For Vehicles Ordered By Dealers in States of California, New York, Vermont, Massachusetts or Maine with Federal Emissions) (Req: FE9 Emissions)
NC7	Emissions Override, Federal (For Vehicles Ordered By Dealers in Federal Emissions States With California, New York, Vermont, Massachusetts, or Maine Emissions: May Also Be Used By Dealers in States of California, New York, Vermont, Massachusetts or Maine to Order Different State-Specific Emissions) (Req: NG1, NE1 or YF5 Emissions)

TIRES: SPEED RATED

SEO NO.	MANUFACTURER	QUANTITY	SIZE	SPEED RATING	TYPE
QTI	Goodyear	Four	P225/60R16 SBR Blackwall	H	All-Season RSA

NOTE: Compact spare is standard

SEATS AND INTERIOR TRIM

- NOTE:
- Heavy-duty rear seat cushion and trim
 - Seat option and color code must be specified
 - Console with cupholders are not available on 9C1 Model

	SEAT OPTIONS	REGAL BLUE	NEUTRAL
STANDARD Front Buckets with Rear Bench/Cloth Front and Vinyl Rear	AR9	27G	52G
OPTIONAL Front Buckets with Rear Bench/Vinyl Front and Rear	AR9	27N	52N
Front Buckets with Rear Bench/Cloth Front and Rear	AR9	27E	52E



Impala 9C3 Undercover Police Package

CHEVROLET IMPALA 4-DOOR SEDAN 9C3 POLICE PACKAGE - UNDERCOVER

Some standard equipment may be replaced by special equipment when the police package 9C3 is ordered.

This Vehicle Has Been Designed for Police Work Up to and Including High Speed Emergency Vehicle Operations. However, it is not Recommended for Marked Patrol use Because the Vehicle Cargo Weight (Including Customer Installed Equipment) is Reduced by the Ability to Accommodate Three Front Seat Passengers.

STANDARD EQUIPMENT SUMMARY:

WARRANTY 3 years / 36,000 miles

INTERIOR FEATURES

AIR CONDITIONING	Dual Zone with Environmentally Friendly Refrigerant (R134a)
SPEEDOMETER/CLUSTER	Analog, Certified (1 mph Increments) with Digital Trip Odometer, Warning Lights and Message Center (See message center diagram on Page 20)
FLOOR COVERING	Carpeting Front and Rear Floor (Carpeted mats must be ordered - Option B34)
GLASS	Tinted, Solar Windshield and Backlight, Solar Ray Side Glass
LIGHTING	Auxiliary, Interior, Sustained Illumination
LOCKS	Power (Remote keyless entry not available)
MIRRORS	Visor, LH and RH with Covered Vanity Mirrors, Extenders
RADIO	Electronically Tuned AM/FM Cassette Stereo Radio w/Seek-Scan, Digital Clock, and Extended Range Front and Rear Speakers with Integrated Rear Window Antenna
RESTRAINT SYSTEM SEATS	Seat Belts with Driver and Passenger Frontal Air Bags. 60/40 Front Split Bench Seat (Cloth Only) with Folding Arm Rest and Cup Holder, 6-Way Power Driver's Seat with Manual Lumbar, Manual Passenger Seat and Manual Reclining Seat Backs.
STEERING WHEEL	Adjustable Tilt Steering Column, Column Mounted Gear Shift Lever
TRUNK MAT	Heavy-Duty (Available only with compact spare tire)
TRUNK RELEASE	Electric (Not ignition controlled), Button Located Lower Instrument Panel, Left of Steering Column and Manual Inside Trunk Safety Release
WARNING LIGHTS	Brake, Seatbelt, Air Bag, Anti-lock Brakes, and Check Engine
WINDOWS	Power, with Rear Window Lockout Switch

EXTERIOR FEATURES

PAINT	Base Coat/Clear Coat
BODY PANELS	Two-Sided Galvanized Steel For All Exterior Body Panels (Except Roof Where Not Needed)
LIGHTS	Daytime Running Lamps (See Switch, Surveillance Mode on Page 19)
WIPERS	Intermittent with High Speed Anti-lift Wiper System on Driver's Side
DEFOGGER	Rear Window
KEYS	Single Key Locking System; One Key Operates Ignition and All Locks, Random Key Code for Each Vehicle. For Single Key Locking System to Operate Entire Fleet (See Fleet Coded Single Key Option on Page 11)
LICENSE PLATE	Front and Rear - Mounting Screws Located in Glove Box
MIRRORS	Body Color, Electric LH and RH Remote
MOLDINGS	Integrated Body Side, Argent - Non-removable
WHEEL COVERS	Full-Size Bolt-on Plastic Wheel Covers

IMPALA UNDERCOVER 9C3 POLICE PACKAGE - (continued)

ELECTRICAL FEATURES

SURVEILLANCE SWITCH	For Speedometer Light, Radio Display and Daytime Running Lights, Automatic Headlamps, Dome Light, Shift Position Indicator (PRNDL), and Tail Lights. (See Switch Surveillance Mode on Page 19)
POWER, TRUNK	100 Amp Auxiliary Power Outlet in Trunk
GROUND STUD	Auxiliary (Located in Trunk)
POWER, FRONT	100 Amp Ignition and Main Power Supply Wiring at Instrument Panel (See Wiring-Ignition and Main Power Supply on Page 19 For Description)
WIRING DIAGRAMS	See Impala Police Package Owner's Manual Supplement (located in glove box folder with standard owner's manual)
WIRING, HEADLAMP FLASHER	Wiring - Forward Lamp In-Line Connector with Power for Flasher
WIRING, TAIL LAMP FLASHER	Wiring - Rear Body Lamp In-Line Connector with Power for Flasher
LOCKOUT PROTECTION	Prevents the Power Door Locks From Locking the Driver's Door if Keys are Left in the Ignition

CHASSIS FEATURES

ENGINE	3800 Series II SFI V6 with Top Speed Fuel Cut Off at 129 MPH Includes Wide Open Throttle Air Conditioning Cut Off. (When overhead lights, spotlights, radio antennas, sirens, and other equipment are installed, overall performance may be somewhat lower)
ENGINE CRADLE	Reinforced
ALTERNATOR	125 Amp; 96 Amp @ 725 RPM Idle (Transmission in Park or Neutral with Air Conditioning On), 124 Amp @ 1200 RPM Idle Boost, Based on Battery Voltage
BATTERY	690 CCA with Battery Rundown Protection; automatically shuts off courtesy lights (reading/map lights, visor vanity lights, trunk and glove box lights) to protect the battery. Lights are automatically turned off after 20 minutes if they are left on and the ignition is in the "off" position (Does Not Protect Customer Installed Equipment).
BRAKES	4-wheel Anti-lock Disc Brakes with Police Calibration and Heavy Duty Front Brake Pads
COOLING	Heavy-Duty (High Capacity) with Heavy-Duty Fans and Extended Life Coolant. Coolant Hoses are EPDM (Ethylene-Propylene-Diene) Rubber; Silicone Hoses are not Required.
CHASSIS LUBRICATION	Lubed-for-Life Chassis
EXHAUST SYSTEM	Stainless Steel
FUEL TANK CAPACITY	17 Gallon
OIL COOLERS	Engine, Transmission and Power Steering Oil Cooler: External Air-to-Oil, Fin Type
RADIO SUPPRESSION	Extended Life - Platinum Tip Spark Plugs and Wires That are Designed to Reduce Radio Frequency Noise Levels Which May Affect Communications Equipment Including Operating Frequencies in the 38 MHz to 58 MHz Range.
STARTER INTERRUPT	Prevents the Starter From Engaging if the Driver Attempts to Start the Engine When It Is Already Running
STEERING	Power
STRUTS, FRONT	Reinforced
SUSPENSION	4-Wheel Independent, Firm Ride and Handling with Increased Ride Height Springs, Heavy Duty Front and Rear Stabilizer Bars
WHEELS	16" x 6.5" Heavy-Duty Steel
TIRES	P225/60R16 SBR Blackwall, "H" Rated with Compact Spare
TRANSMISSION	Heavy-Duty 4T65E 4-Speed Automatic, Electronically-Controlled (Traction Control is Not Available on Police Package) Electronically-controlled transmission provides protection against over-revving the engine in low gear and a mechanical low gear blackout is not required. If a driver manually selects LOW gear and fails to manually upshift to HIGH gear, the Powertrain Control Module automatically protects the drivetrain.

IMPALA UNDERCOVER 9C3 POLICE PACKAGE - (continued)

POWERTRAIN

ENGINE				TRANSMISSION		AXLE	
OPTION CODE	TYPE	DISPLACEMENT LITERS/CU. IN.	FUEL SYSTEM	OPTION CODE	TYPE	OPTION CODE	RATIO
L36	V6	3.8/231	Sequential Fuel Injection	MXO	4T65E 4-Speed Auto w/OD	FR9	3.29

EMISSIONS - MUST BE SPECIFIED

FE9	Emissions, Federal Requirements
NG1	Emissions, New York or Vermont State Requirements
NE1	Emissions, Massachusetts or Maine State Requirements
YF5	Emissions, California State Requirements
NB8	Emissions Override, California, New York, Massachusetts or Maine (For Vehicles Ordered By Dealers in States of California, New York, Vermont, Massachusetts or Maine with Federal Emissions) (Req: FE9 Emissions)
NC7	Emissions Override, Federal (For Vehicles Ordered By Dealers in Federal Emissions States With California, New York, Vermont, Massachusetts, or Maine Emissions: May Also Be Used By Dealers in States of California, New York, Vermont, Massachusetts or Maine to Order Different State-Specific Emissions) (Req: NG1, NE1 or YF5 Emissions)

TIRES: SPEED RATED

SEO NO.	MANUFACTURER	QUANTITY	SIZE	SPEED RATING	TYPE
QTI	Goodyear	4	P225/60R16 SBR Blackwall	H	All-Season RSA

NOTE: Compact spare is standard

SEATS AND INTERIOR TRIM

NOTE: • Only available in cloth
• Seat option and color code must be specified

	SEAT OPTIONS	REGAL BLUE	NEUTRAL
STANDARD Cloth 60/40 Split Bench Front and Full Bench Rear	AM6	27B	52B

OPTIONS AVAILABLE WITH IMPALA 9C1 AND 9C3 POLICE PACKAGES

REGULAR PRODUCTION OPTIONS

	DESCRIPTION
6A3	COVERING - Heavy-Duty Replaces Production Carpeting (Carpeted Mats N/A)
K34	CRUISE CONTROL
K05	HEATER - Engine Block
6E2	KEYS - Single Key System, Entire Fleet Coded Alike (Specific Key Code) Different from 6E8
6E8	KEYS - Single Key System, Entire Fleet Coded Alike (Specific Key Code) Different from 6E2
B34	MATS - Carpeted Front and Rear (N/A with 6A3)
AP9	NET - Cargo Restraint in Trunk
UN0	RADIO - Stereo AM/FM with CD Player
AG2	SEAT - Passenger 6-way Power (9C1 Only)
N81	SPARE TIRE - Full-size
A98	TRUNK RELEASE - Ignition Controlled

SPECIAL EQUIPMENT OPTIONS

NOTE: Ship-through option B9V is now required on all police vehicles and will automatically be placed on the order. Dealer should contact Bid Center for current price; charge will appear on dealer invoice.

	DESCRIPTION
6J7	FLASHER SYSTEM HEADLAMP & TAIL LAMP - DRL Compatible, Includes Control Wires
E27	HANDLE - Passenger Side Assist
6B2	HANDLES - Rear Door Inoperative (Doors Can Be Opened Only From Outside)
6B7	HOLE IN ROOF - On Center Line Requires 6F5 Wiring (N/A with 6J5 Hole)
6J5	HOLE IN ROOF - On Passenger Side Requires 6F5 Wiring (N/A with 6B7 Hole)
6C7	LAMP - Front Auxiliary Dome
7Y6	LAMP - Inoperative Dome
6J6	LAMPS - Rear Window Auxiliary Stop/Turn Signals
T53	LAMPS - Alternate Flashing Trunk Lid Warning
6N6	LOCKS - Rear Door Inoperative
6S1	SHIFT LEVER - Shorter Length (Shipped in Glove Box for Customer Installation)
7X6	SPOTLAMP - Left Hand
7X7	SPOTLAMPS - Left and Right Hand
7X8	SPOTLAMP PROVISION - Left Hand
7X9	SPOTLAMP PROVISION - Left and Right Hand
6N5	SWITCHES - Rear Window Inoperative - Rear Power Windows Operate Only from Driver Position
WX7	WIRING - Auxiliary Speaker
6C8	WIRING - Coaxial Radio Antenna Cable - RG58 Roof to Trunk
6J4	WIRING - For Horn/Siren Circuit, Inline Connection for Customer Furnished Switch
6F5	WIRING - Roof Wires (Requires 6B7 or 6J5 Hole in Roof, 10 Wires with 6J5; 4 Wires with 6B7)
6J3	WIRING - For Grille Lamps and Speaker

For a detailed description of special equipment options, see Illustrations Section.

- NOTE:** **IMPALA TURN-KEY PACKAGES Available only through your Chevrolet dealer**
- Direct Purchase Equipment is available through dealer direct order and purchase from Kerr Industries (905) 725-6561
 - Warranty claims for Direct Purchase Equipment must be directed through Kerr Industries

SPECIAL PAINT AVAILABLE WITH IMPALA 9C1 AND 9C3 POLICE PACKAGE

Impala

To accommodate customers who require special painted vehicles, orders will be sent to Kerr Industries who will special paint the cars once they are built. Please note: This ordering process is substantially different from the way special paint is ordered on other vehicle lines and requires an additional charge. See your local dealer for current pricing.

SPECIAL PAINT REQUIRES CUSTOMER REVIEW OF THE FIRST VEHICLE. Customer and dealer costs associated with accommodations and travel for review of special paint are the responsibility of the dealer.

TO ORDER SPECIAL PAINT

- RPO White (40U) or RPO Black (41U) must be ordered
- The 4-digit special paint code in Paint Code 1 / Paint Code 2 fields will be replaced by options denoting Code 1 and Code 2 colors
- Paint scheme codes will be replaced by options
- Solid color option is AAS
- 2-tone color option is AAT
- A minimum of five (5) orders is required
- When special paint schemes are ordered only Class A surfaces will be painted. Engine compartment, door openings, trunk compartment, outside mirrors, door handles, body side and bumper moldings will remain the original factory color. It is strongly recommended that all vehicles be ordered in Black (41U) to avoid exterior color mismatch when 2 special colors are applied.

Example for ordering special paint:

If a dealer wants a silver and blue car with scheme W002, order 40U or 41U (White or Black RPO paint), options BEP (code 1 Blue), BFR (code 2 Silver), 1PB (paint scheme W002) and AAT (2-tone paint).

SPECIAL PAINT WARRANTY

- Warranty claims for special paints must be directed to Kerr Industries at (905) 725-6561

Note: The attached list of paint options contain the same WA numbers in the Code 1 and Code 2 columns. It is extremely important that the dealer order the correct Code 1 and Code 2 options so the upfitter knows how to paint the vehicles.

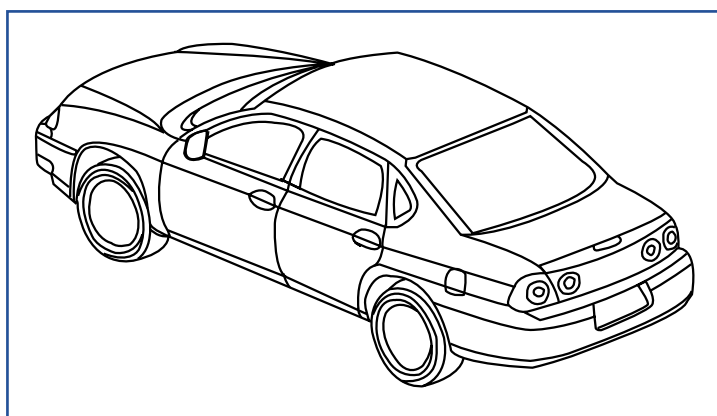
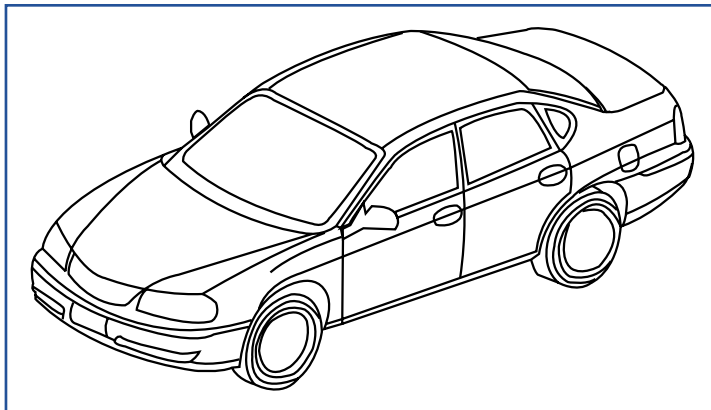
SPECIAL PAINT AVAILABLE WITH IMPALA 9C1 AND 9C3 POLICE PACKAGE

WA#	COLOR DESCRIPTION	OPTIONS	
		CODE 1	CODE 2
121A	Adriatic Blue	BEA	BFE
311B	Olive	BEB	BFF
5236	Neutral	BEC	BFG
5665	Blue	BED	BFH
5845	Beige	BEE	BFI
7159	Blue	BEF	BFJ
7801	Brown	BEG	BFK
7868	Blue	BEH	BFL
7964	Green	BEI	BFM
8380	Blue	BEJ	BFN
8401	Yellow	BEK	BFO
8431	Rose Metallic	BEL	BFP
8554	White	BFA	BGE
8555	Black	BEM	BFQ
9021	Silver	BEN	BFR
9403	Tan	BEO	BFS
7889	Blue	BEP	BFT
5120	Blue	BEQ	BFU
5322	Driftwood	BER	BFV
5749	Gold	BES	BFW
7153	Blue	BET	BFX
7262	Brown	BEU	BFY
7840	Silver	BEV	BFZ
7888	Blue	BEW	BGA
7999	Blue	BEX	BGB
8381	Gray	BEY	BGC
8412	Green	BEZ	BGD
8743	Blue Black	BFB	BGF
9382	Blue	BFC	BGG

ACTUAL COLOR MAY VARY

IMPALA 9C1 AND 9C3 PAINT SCHEMES

IMPALA
SEO COLOR SCHEME #W001
OPTION CODE 1PA

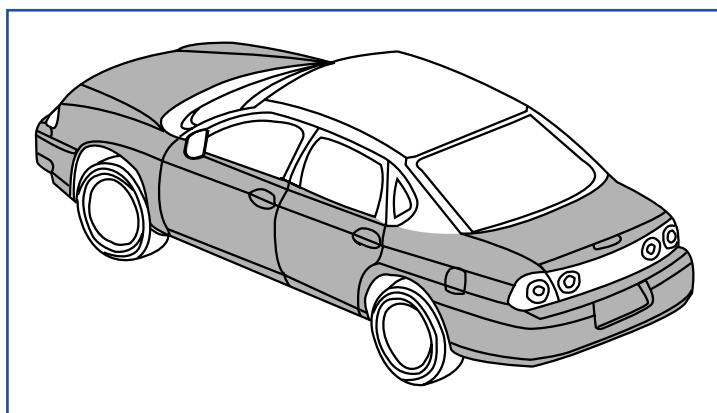
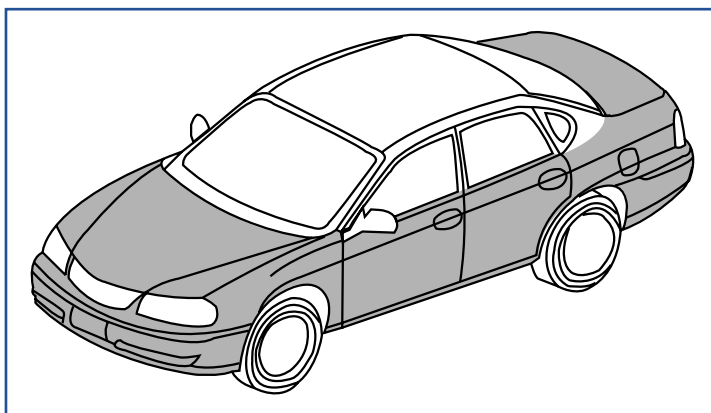


PAINT
LEGEND:

CODE 1

CODE 2

IMPALA
SEO COLOR SCHEME #W002
OPTION CODE 1PB

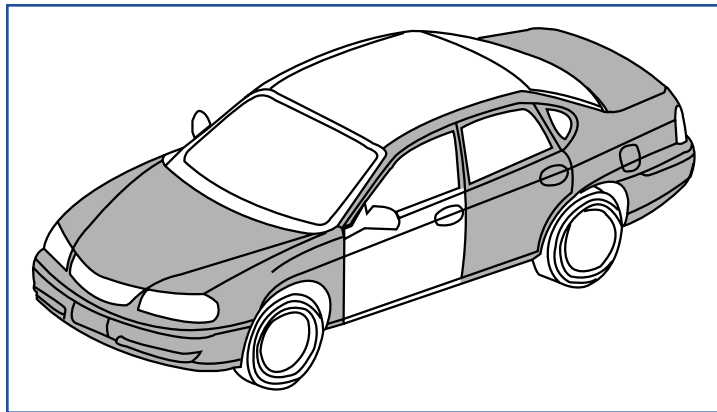


PAINT
LEGEND:

CODE 1

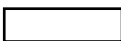

CODE 2

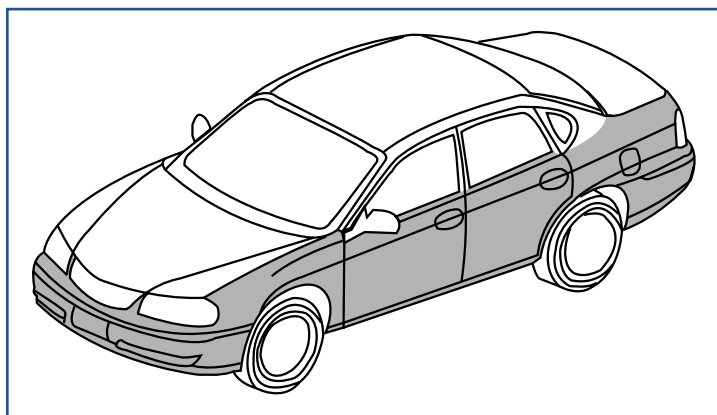
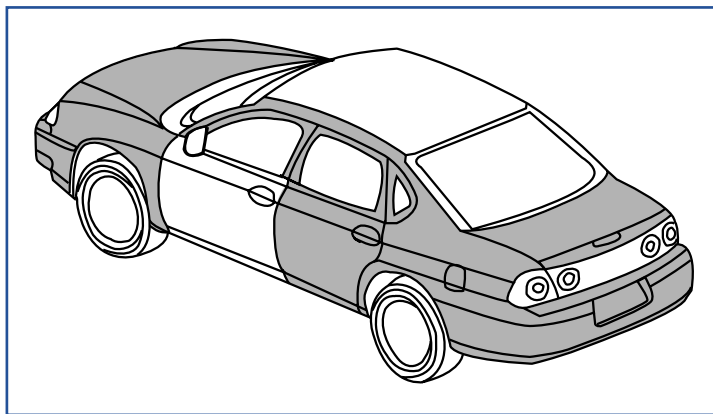
IMPALA 9C1 AND 9C3 PAINT SCHEMES



IMPALA
SEO COLOR SCHEME #W003
OPTION CODE 1PC

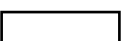
**PAINT
LEGEND:**

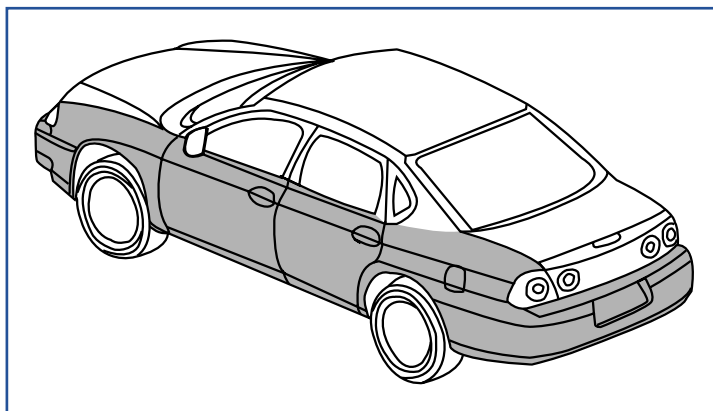
CODE 1 
CODE 2 



IMPALA
SEO COLOR SCHEME #W006
OPTION CODE 1PF

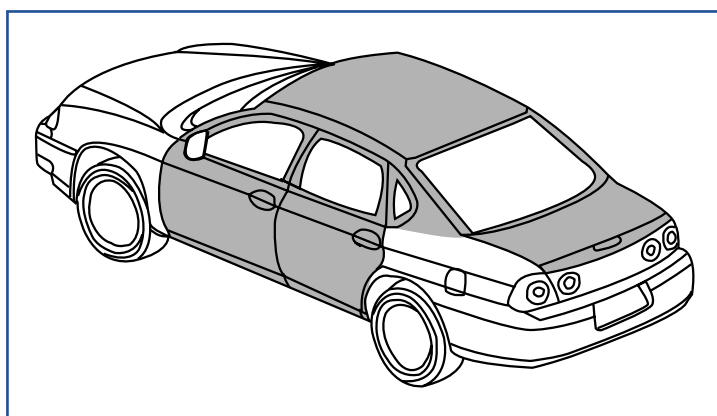
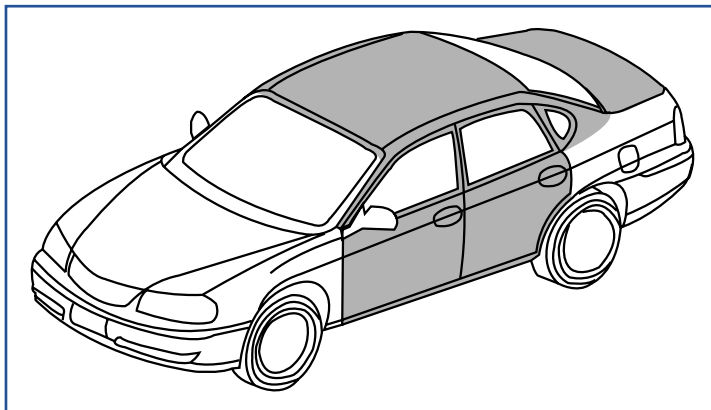
**PAINT
LEGEND:**

CODE 1 
CODE 2 



IMPALA 9C1 AND 9C3 PAINT SCHEMES

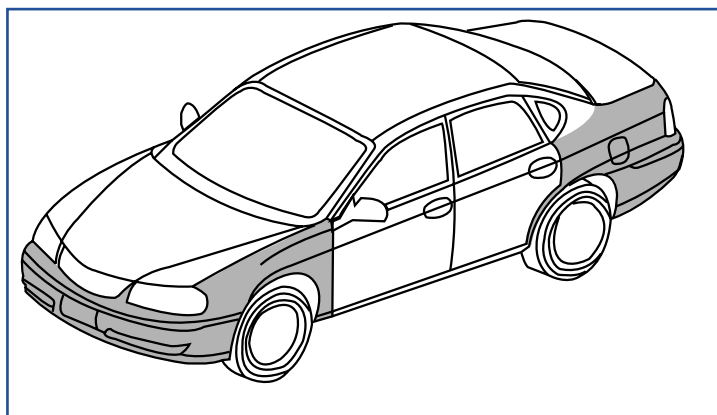
IMPALA
SEO COLOR SCHEME #W008
OPTION CODE 1PH



PAINT
LEGEND:

CODE 1

CODE 2

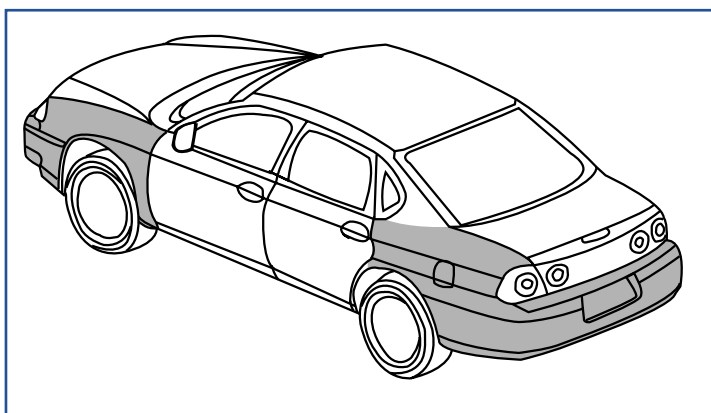


IMPALA
SEO COLOR SCHEME #W009
OPTION CODE 1PI

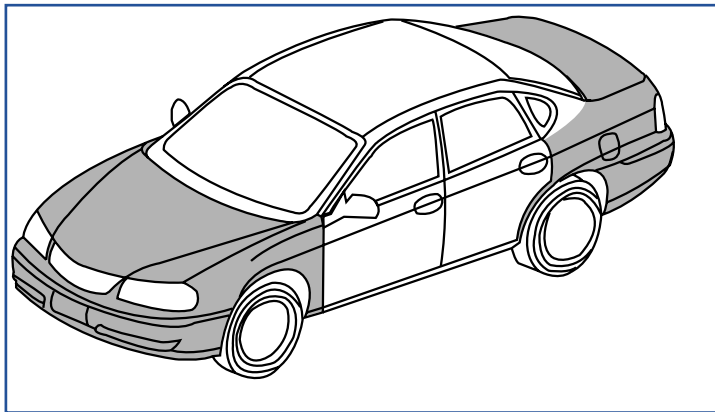
PAINT
LEGEND:

CODE 1

CODE 2



IMPALA 9C1 AND 9C3 PAINT SCHEMES

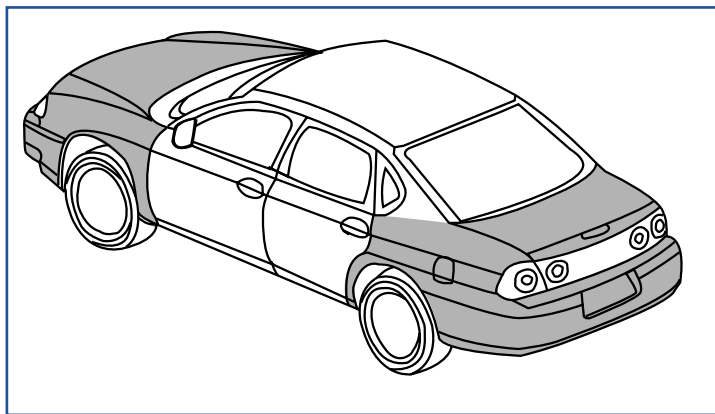


IMPALA
SEO COLOR SCHEME #W012
OPTION CODE 1PL

PAINT
LEGEND:

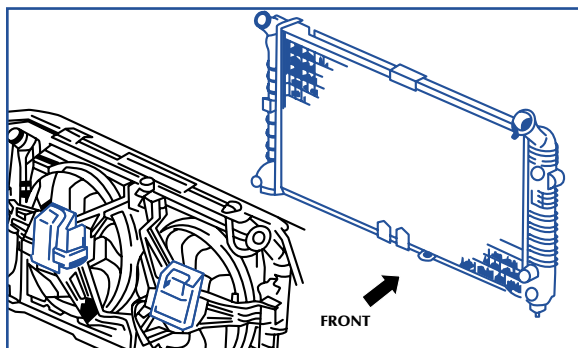
CODE 1

CODE 2



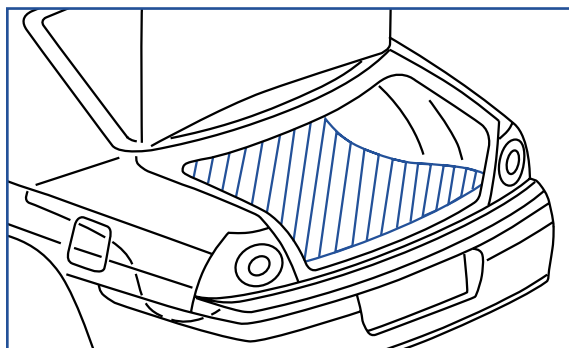
DESCRIPTION OF STANDARD SPECIAL EQUIPMENT IMPALA 9C1 AND 9C3 POLICE PACKAGE

COOLING SYSTEM - HEAVY-DUTY



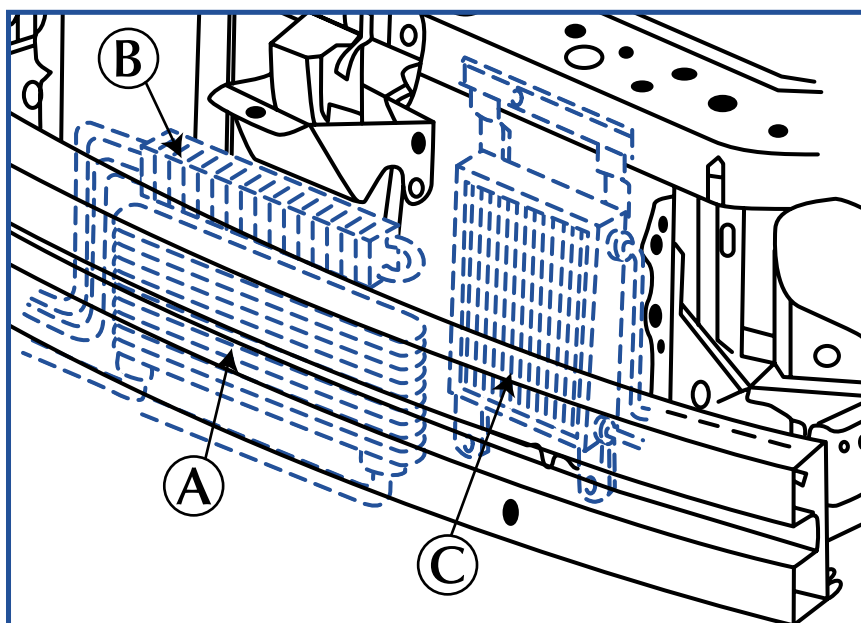
High capacity radiator replaces standard radiator and 160-watt fan replaces 110 watt right fan. Left fan is 160-watts.

MAT - TRUNK



Heavy-duty mat covers floor. Available only with compact spare.

AUXILIARY COOLING SYSTEMS



AUXILIARY COOLING SYSTEMS

Three auxiliary fin-type air-to-oil coolers are mounted in front of the engine coolant radiator. The engine oil and power steering fluid coolers are mounted on a common frame to the right of center. The transmission fluid cooler is mounted separately to the left of center and is connected in series with the coolant radiator end-tank cooler.

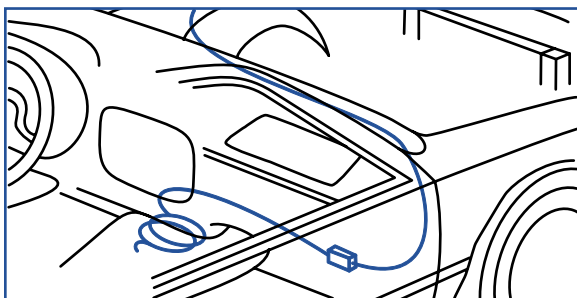
A- ENGINE OIL COOLER

B- POWER STEERING COOLER

C- TRANSMISSION FLUID COOLER

DESCRIPTION OF STANDARD SPECIAL EQUIPMENT IMPALA 9C1 AND 9C3 POLICE PACKAGE - (continued)

WIRING - IGNITION AND MAIN POWER SUPPLY



Battery power is supplied through two fusible links, one 50-amp and one 65-amp, to three circuit breakers and two control relays located in the control center above the accelerator pedal. A 50-amp circuit breaker feeds power directly from the 50-amp fusible link through a 10 gauge blunt cut wire. Two 30-amp circuit breakers supply power from the 65-amp fusible link through the contacts of the control relays to 12 gauge blunt cut wires. The blunt cut leads are part of a 5 foot coil on the floor under the instrument panel.

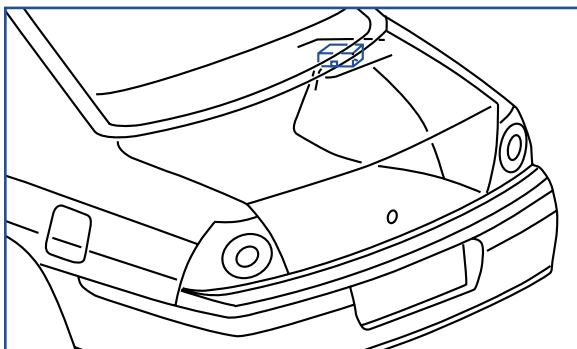
Each relay is to be operated by a 18 gauge control lead included in the 5 foot coil under the instrument panel. A 10 gauge system ground lead is also provided in the 5 foot coil.

The total current available through the 12 volt power supply is 110 amps. It will be 100 amps if two spotlamps are installed on the vehicle. The spotlamp fuses are located in the right-hand underhood electrical center.

Two blunt cut wires provide ignition controlled power; one is hot when the ignition is in Accessory and On; the second is hot when the ignition is in Start and On.

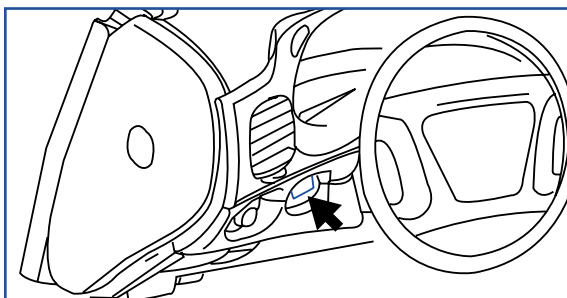
A third blunt cut wire provides a ground from the body control module whenever the transmission is in park or neutral

100-AMP AUXILIARY POWER OUTLET



An auxiliary battery power junction block is mounted in the trunk on the right side support strut rearward of the wheelhouse. The auxiliary junction block is powered directly from the battery. Two 50-amp fusible links at the battery protect the junction block body wiring. Maximum capacity is 100 amps.

SWITCH, SURVEILLANCE MODE

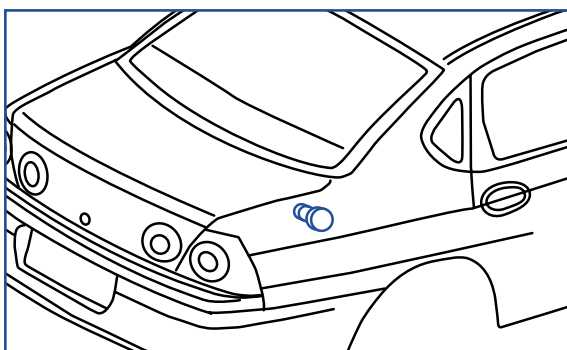


A surveillance mode switch (SURV) is located in the instrument panel to the left of the steering column. When the SURV button is pressed in, all automatic exterior and interior lighting functions are disabled. Pressing the button again activates these lighting functions. All lighting functions can be activated manually if necessary.

In daylight, the daytime running lamps (DRL) are off and the transaxle shift indicator (PRNDL) and clock/radio are at minimum intensity. At nighttime the automatic lamp control (ALC) is disabled: exterior lamps, interior instrument displays and dome lamp are off and the PRNDL, clock/radio displays are at minimum intensity.

In Canada, the DRL are on in daylight and ALC is on in the nighttime.

GROUND STUD - REAR COMPARTMENT

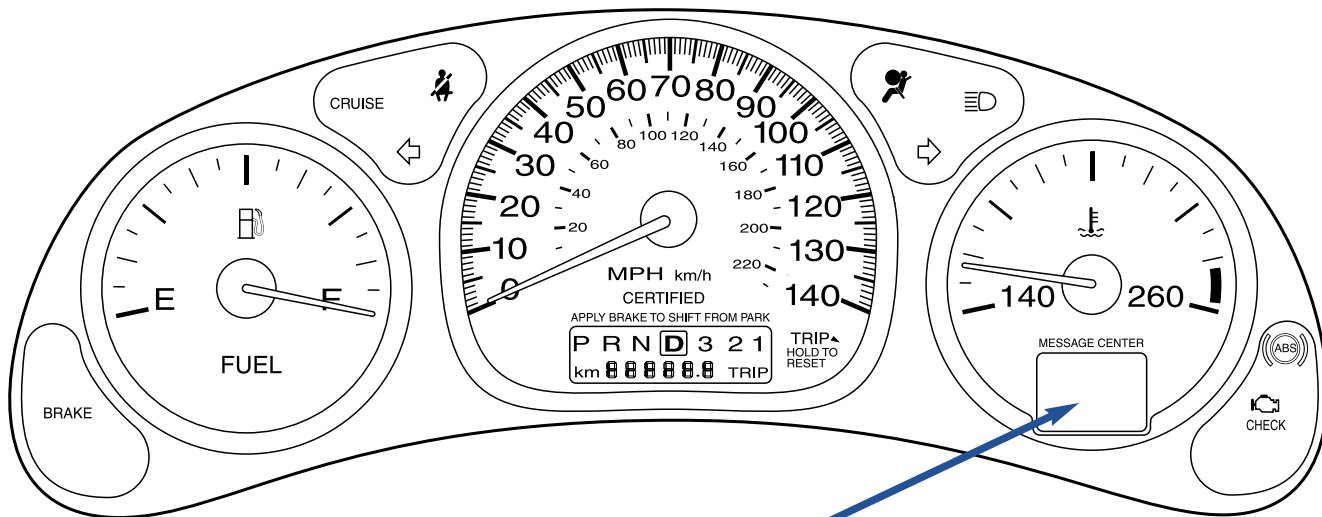


This feature provides a 10mm ground stud located at the right side of the trunk just above the red Trunk Auxiliary Battery Power Junction Block. A 10mm flanged hex nut grounds the 10mm stud bolt to the vehicle and is torqued to 26 lb-ft (35N-M). A plain 10 mm hex nut is provided for customer ground termination. Recommended torque for this second nut is 7 lb-ft (10N-M) plus or minus 1 lb-ft (2N-M).

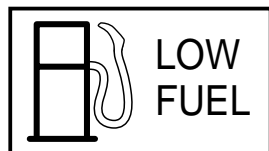
NOTE: Wiring Diagrams for These Options are Shown in the Police Package Owner's Manual Supplement (Shipped in Glove Box)

DESCRIPTION OF STANDARD SPECIAL EQUIPMENT IMPALA 9C1 AND 9C3 POLICE PACKAGE - (continued)

UNITED STATES CERTIFIED SPEEDOMETER/CLUSTER (CANADIAN SIMILAR)



MESSAGE CENTER

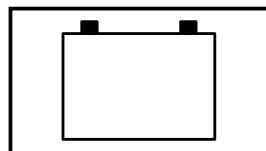


DOOR
AJAR

HOT
COOLANT
TEMP

SERVICE
VEHICLE
SOON

LOW
WASHER
FLUID



CHANGE
ENGINE
OIL

LOW
COOLANT
LEVEL

TRUNK
OPEN

LOW
TIRE
PRESSURE

Battery Life Indicator
When the vehicle is started this message will be displayed for three seconds

LOW
OIL
PRESSURE

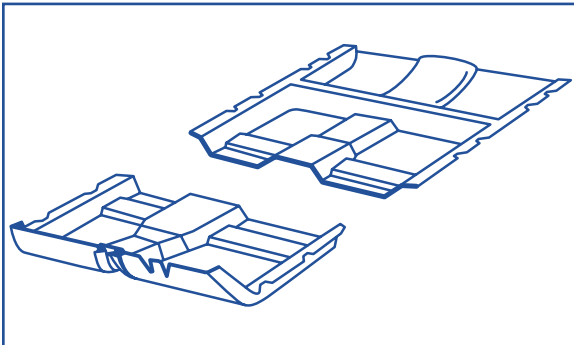
LOW
ENG OIL
LEVEL

HIGHBEAM
OUT

LOW
BRAKE
FLUID

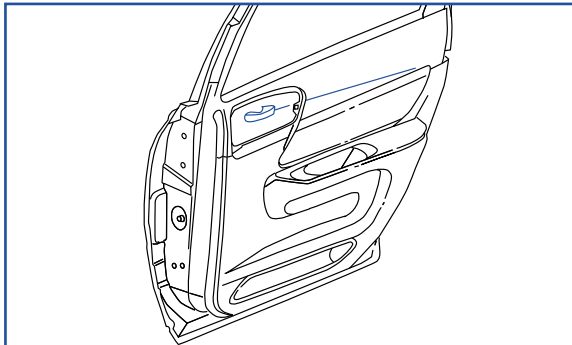
DESCRIPTION OF OPTIONAL SPECIAL EQUIPMENT IMPALA 9C1 AND 9C3 POLICE PACKAGE

6A3 COVERING - FLOOR



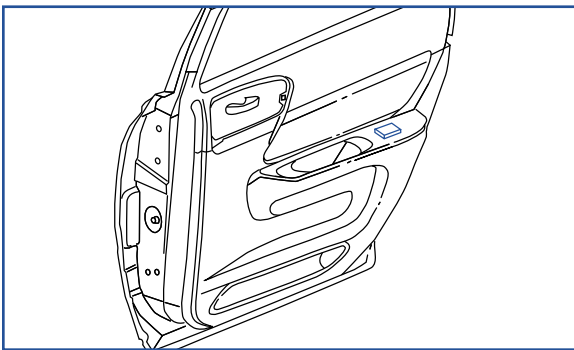
Black heavy-duty front and rear (replaces production carpeting and carpeted mats).

6N6 LOCKS - REAR DOOR INOPERATIVE



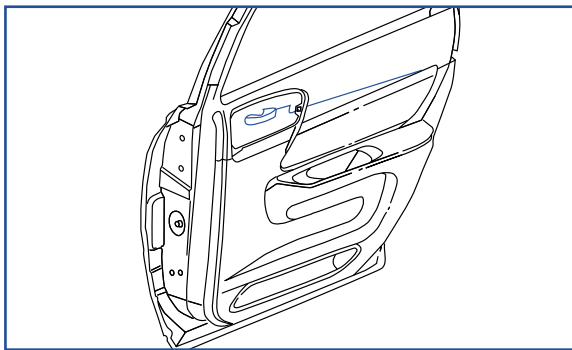
Rear door locking rods are disabled. Rear door locks are inoperable at rear doors, but operate from driver position.

6N5 SWITCHES - REAR WINDOW INOPERATIVE



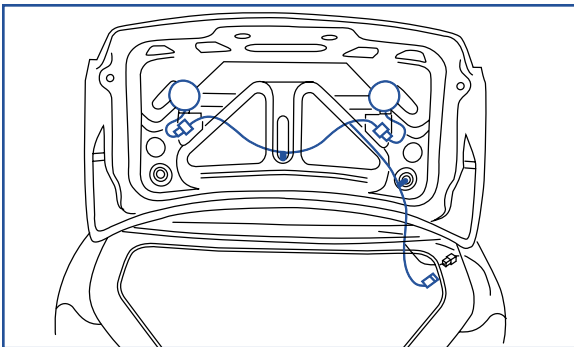
Rear door window switches are inoperable. Rear door power regulators are operable only from driver position switches.

6B2 HANDLES - REAR DOOR INOPERATIVE



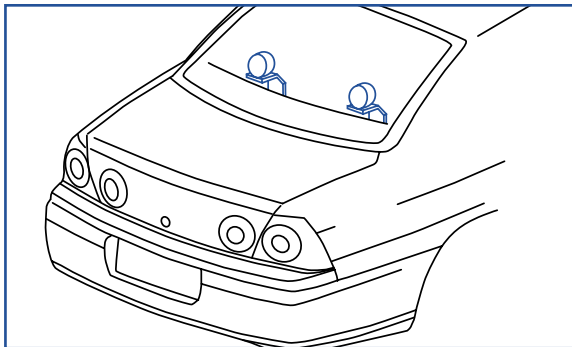
Inside rear door handles are disconnected. Rear doors can only be opened from the outside.

T53 LAMPS - TRUNK LID WARNING



Two 4-inch, red, single-faced lights mounted to the decklid inner panel. Lights are activated by the decklid ajar mechanical switch when decklid is opened. Lights are wired to flash alternately through a flasher located at the left warning light.

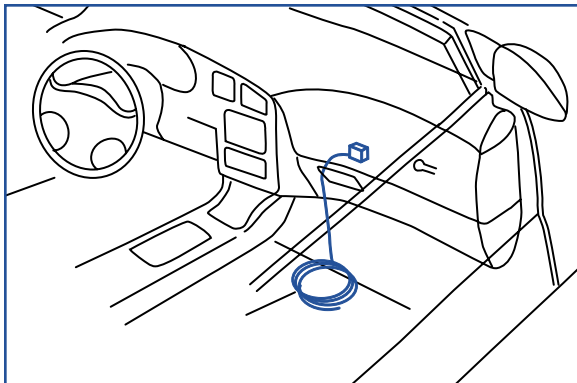
6J6 LAMPS - REAR WINDOW



Two 4-inch, red, single-faced lights mounted behind rear seatback to be viewed through rear window. The turn signal circuits extend in loops coiled in the right front foot well for customer connection to control switching. These lights function as auxiliary turn signal, stop lamps and vehicle hazard flashers.

DESCRIPTION OF OPTIONAL SPECIAL EQUIPMENT IMPALA 9C1 AND 9C3 POLICE PACKAGE - (continued)

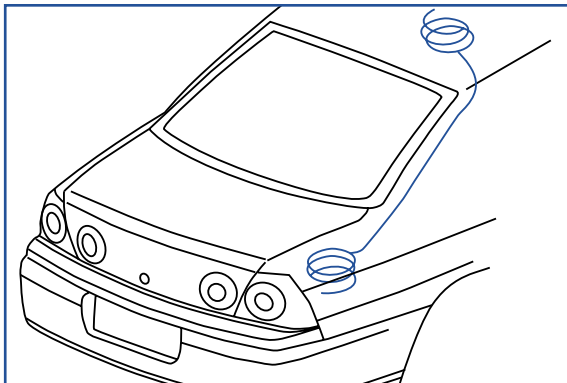
WX7 WIRING - AUXILIARY SPEAKERS



Approximately 60 inches of auxiliary speaker wire is run from the door-mounted speakers and coiled under the center of the instrument panel.

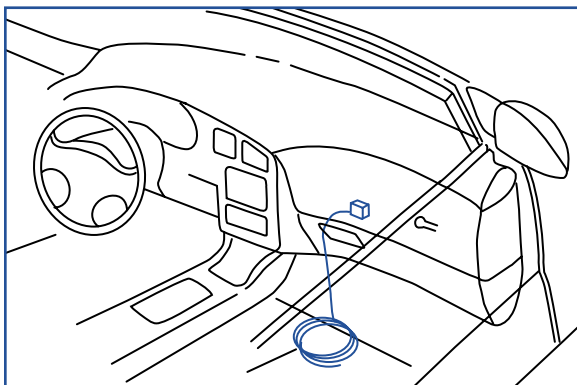
NOTE: Wiring diagram is shown in Police Package Owner's Manual Supplement (shipped in glove box).

6C8 WIRING - COAXIAL RADIO ANTENNA CABLE



RG58 Coaxial Radio Antenna Cable routed from just rearward of the dome light location to trunk. Approximately 24 inches of extra cable is coiled between headliner and roof panel. A coil of sufficient length to reach either corner of the trunk is secured to the right inner wheelhouse. There is no hole in the roof panel.

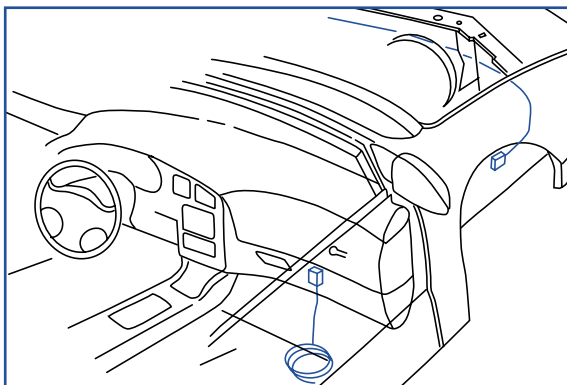
6J4 WIRING - HORN/SIREN CIRCUIT



Two 16 gauge wires are connected to an in-line connector in the horn circuit of the instrument panel harness under the instrument panel. The end of this harness extension is terminated with an in-line connector in a 60 inch coil under the instrument panel. Connection to customer switching permits operation of the horn or siren with the horn button.

NOTE: Wiring diagram is shown in Police Package Owner's Manual Supplement (shipped in glove box).

6J3 WIRING - GRILLE LAMPS, SPEAKER

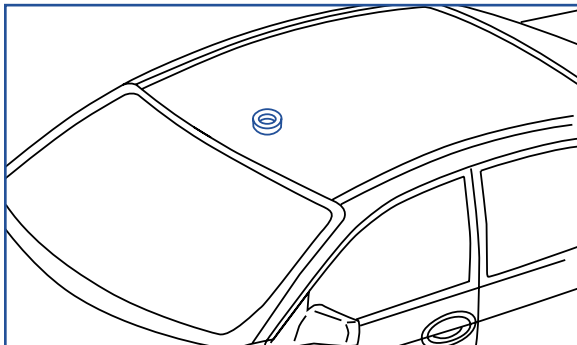


One 16 gauge wire to alternating signal flasher mounted to the right hand closeout panel. Sixty inches of extra wire from flasher is coiled under the instrument panel. Two 16 gauge wires are routed from flasher to an area behind grille. Two 16 gauge speaker lead wires routed from under the instrument panel to an area behind the grille. All 4 wires have 24 inches of extra wire in coil behind grille. Grille lamps and speaker are not included.

NOTE: Wiring diagrams shown in Police Package Owner's Manual Supplement (shipped in glove box).

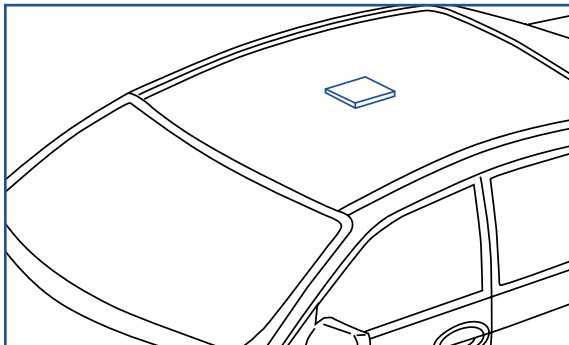
DESCRIPTION OF OPTIONAL SPECIAL EQUIPMENT IMPALA 9C1 AND 9C3 POLICE PACKAGE - *(continued)*

6C7 LAMP - AUXILIARY DOME



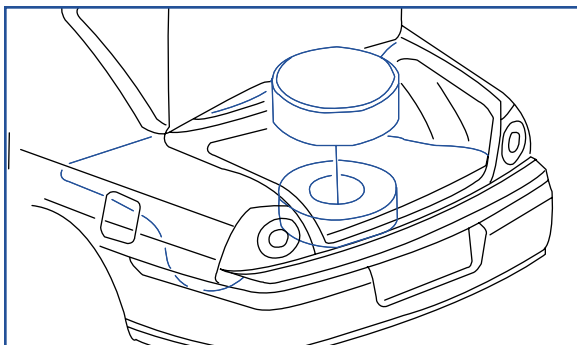
Auxiliary Dome Lamp located between visors with switch at base of lamp. Wired independently from standard dome light.

7Y6 LAMP - INOPERATIVE DOME



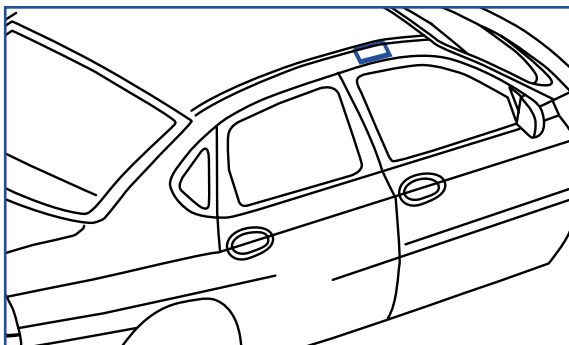
Dome lamp will not operate when doors are opened or the instrument surveillance switch is on. Dome lamp is controlled only by the instrument light dimmer on the instrument panel.

N81 FULL-SIZE SPARE



Full-size spare mounted on top of the standard trunk trim. Vinyl cover is provided for spare tire and wheel.

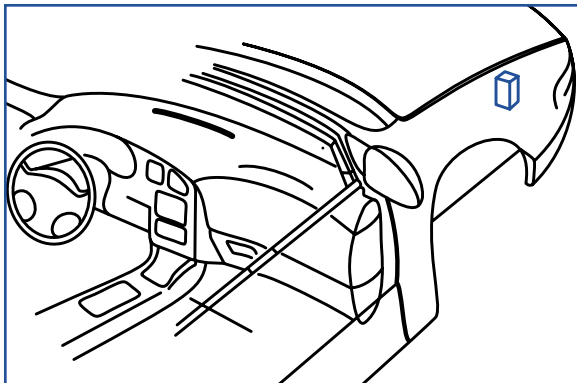
E27 ASSIST HANDLE



The assist handle is located above the right front passenger door.

DESCRIPTION OF OPTIONAL SPECIAL EQUIPMENT IMPALA 9C1 AND 9C3 POLICE PACKAGE - (continued)

6J7 EXTERIOR LAMP EMERGENCY FLASHING SYSTEM, HEADLAMPS, TAILLAMPS AND BACK-UP LAMPS



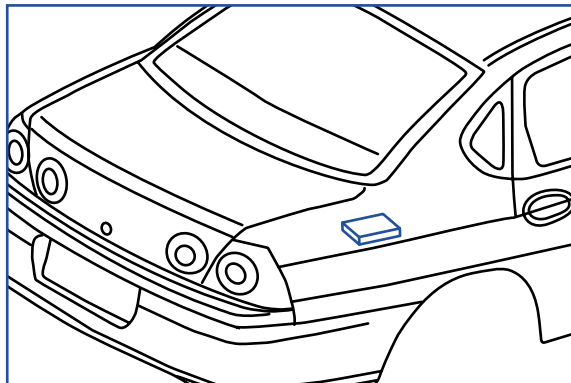
HEADLAMPS

This option provides a headlamp high beam flashing module, rearlamps flashing module and control wires for customer furnished ON - OFF switching, coiled in the right front foot well. These control leads may be combined with the interior wiring leads for option 6J3 when that option is ordered with option 6J7.

The headlamp flashing module is located at the inboard end of the right hand headlamp assembly. The headlamp flashing module is activated by application of 12 volts to a pink wire coiled in the right front footwell. When activated, the left and right high beams and the high beam instrument cluster telltale will flash alternately at 2.4 flashes per second.

During daylight conditions, the Daytime Running Lights (DRL) are automatically deactivated whenever the headlamp flasher module is activated; during nighttime conditions, the low beams are automatically ON while the high beams flash. Activating the high beam switch will override the flashing mode and the high beams will operate continuously.

A 15-amp fuse, labeled DRL/EXT LTS protects the front flasher circuit. This fuse is located in the engine wiring harness junction block at the right side of the engine compartment.



TAILLAMPS AND BACK-UP LAMPS

The rearlamp flashing module is located at the right side of the trunk near the red Trunk Auxiliary Battery Power Junction Block. The rear lamps flashing module is activated by application of 12 volts to a dark blue wire coiled in the right front footwell. When activated, the left and right stop lamps will flash alternately with the backup lamps at a rate of 2.4 flashes per second. The Center High-Mounted Stoplamp will NOT flash and operates only with application of the service brakes. During nighttime conditions, the rear taillamps are automatically ON.

A separate blunt-cut red-black wire is included at the flashback module for customer connection to operate a customer furnished relay to flash auxiliary rear window lights.

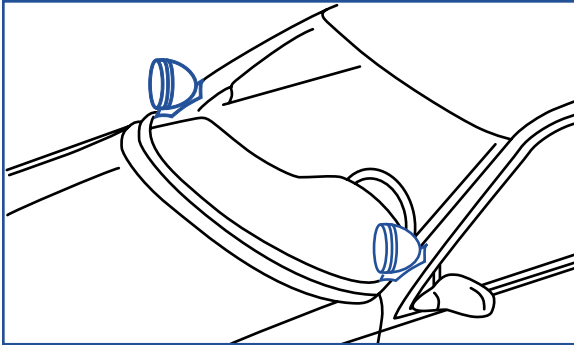
A 20-amp fuse, labeled AUX PWR protects the rear flasher circuit. This fuse is located in the right instrument panel fuse panel.

NOTE:

- Front and rear modules not available separately.
- Wiring diagram is shown in Police Package Owner's Manual Supplement (shipped in glove box).

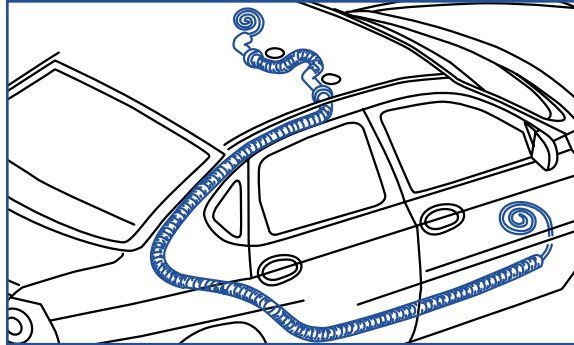
DESCRIPTION OF OPTIONAL SPECIAL EQUIPMENT IMPALA 9C1 AND 9C3 POLICE PACKAGE - (continued)

SPOTLAMPS AND SPOTLAMP PROVISIONS



- 7X6 Spotlamp Left Hand, pillar-mounted Unity, 6 inch with replaceable H3 halogen bulb; independently fused
- 7X7 Spotlamps Left- and Right-Hand, pillar-mounted Unity, 6 inch with replaceable H3 halogen bulb; independently fused
- 7X8 Spotlamp Provision Left-Hand provision for customer installed spotlamp includes hole through pillar, mounting bracket and accessible power connector
- 7X9 Spotlamp Provision Left- and Right-Hand includes same components as option 7X8

6F5 WIRING - ROOF 10 WIRE

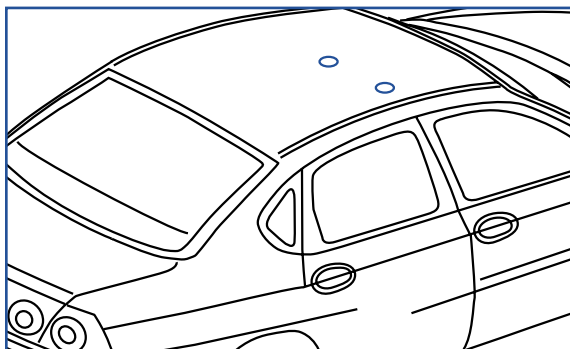


This is a universal roof wiring harness for roof-mounted equipment. Eight, 12 gauge wires (including one ground wire) and two 10 gauge wires are color coded. Three feet of extra wire is coiled under the instrument panel and 2 feet coiled outside the roof. Roof wiring is extended through roof hole, secured and sealed with a rubber grommet.

When 6J5 right side hole is ordered, 10 wires extend through the roof on the right side. When 6B7 center hole is ordered, only 4 wires extend through the roof, at the center line.

NOTE: Lamp fuses are located in the engine compartment electrical center.

HOLE IN ROOF PANEL



- 6B7 Hole is drilled on center line of roof panel approximately 29 inches rearward of windshield opening
- 6J5 Hole is drilled on passenger side of roof panel approximately 29 inches rearward of windshield opening and approximately 6 inches inboard from passenger side door

NOTE: Only one roof hole location may be ordered. SEO 6F5 roof wiring is required when SEO 6B7 or SEO 6J5 are ordered.

NOTE: Wiring diagrams for these options are shown in the Police Package Owner's Manual Supplement (shipped in glove box).

IMPALA 9C1 AND 9C3 POLICE PACKAGE SPECIFICATIONS

GENERAL

Model	4 Door
Drive	2 Wheel Front

EXTERIOR (in/mm)

Wheelbase	110.5/2808
Overall Length	200.1/5080
Overall Width	73.0/1853
Overall Height	57.3/1456

FRONT COMPARTMENT (in/mm)

Head Room	39.2/995
Shoulder Room	59.0/1498
Hip Room	56.5/1436
Leg Room (maximum)	42.2/1072

REAR COMPARTMENT (in/mm)

Head Room	36.8/935
Shoulder Room	58.9/1495
Hip Room	55.7/1414
Leg Room (minimum)	38.4/975

LUGGAGE COMPARTMENT CAPACITY (cu ft/liters)

Luggage Capacity (with space saver)	18.6/527
EPA Passenger Compartment Volume Index	104.5/2959

FUEL TANK CAPACITY

Gallons/Liters	17/64.3
----------------	---------

FUEL ECONOMY RATINGS CITY/HIGHWAY

3.8L - 3800 Series II SFI V6	20/29
------------------------------	-------

EPA label values, actual mileage will vary with options, driving conditions, driving habits and vehicle condition.

ALTERNATOR

Type	CS125
Amps	125
Max. Amps @ idle (park/neutral w/air conditioning)	96

Features:

- Sealed High Capacity Bearings
- Transient Voltage Spike Protection
- Vehicle Low Voltage Idle Boost Compatible
- Load Response Control
- Reduced RFI

ENGINE

Type	(L36) V6
Displacement: Liters (cu. in.)	3.8 (231)
Horsepower/RPM	200 @ 5200
Torque/RPM	220 @ 4000
Induction System	SFI
Compression Ratio	9.4:1
Exhaust	Single

TRANSMISSION

Automatic, Electronically-Controlled with Overdrive	4-speed
---	---------

AXLE

Ratio	3.29
-------	------

BRAKES

Dual Hydraulic, Power System	Disc/Disc
Front Disc Diameter (in.)	11.9
Rear Disc Diameter (in.)	10.9
Total Brake-Swept Area (sq. in.)	395.7

TIRES

Type	All Season "H" Speed Rated
Size	P225/60R16

WHEELS

Type	Steel
Size	16" x 6.5"

CHASSIS

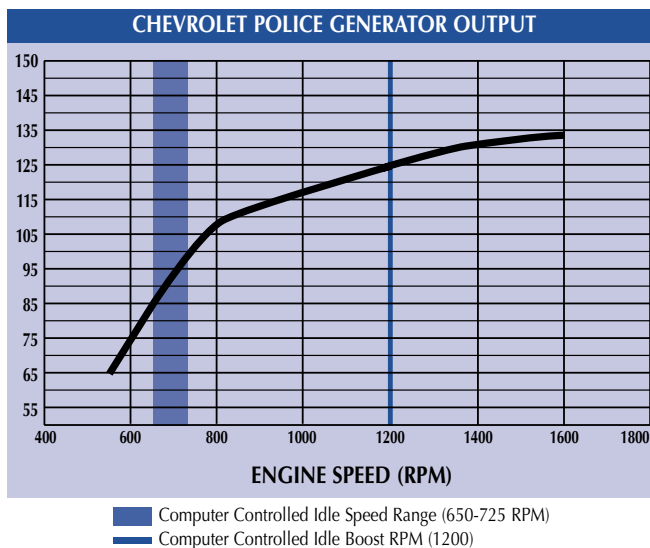
Frame	Unitized Body
Engine Cradle	Aluminum
Front Suspension	Independent MacPherson Strut, Coil Spring Over Strut & Stabilizer Bar
Rear Suspension	Independent Tri-Link MacPherson Strut, Coil Spring Over Strut & Stabilizer Bar
Steering Type	Power Rack & Pinion
Steering Ratio (center/stop)	14.1:1

BATTERY

Type	Maintenance Free
BCI Group Size	78
Volts	12
Amp Hour Rating	69
Cold Cranking Amps @ 0°F (-18°C)	690
Reserve Capacity @ 80°F (27°C)	115

Features:

- Maintenance-Free Design
- Built-In Flame Arrester
- Built-In Hydrometer
- Side-Mounted Terminals
- Reinforced Polypropylene Case





Tahoe 2WD PPV Police Package

CHEVROLET TAHOE 2-WHEEL DRIVE POLICE PACKAGE - 1ST COMMERCIAL DECOR WITH PPV OPTION

Note: Police Package Option PPV must be ordered. The 2-Wheel Drive Tahoe Police Package is Not Intended for Trailer Towing.

This Vehicle Has Been Designed for Police Work up to and Including High Speed Emergency Vehicle Operations.

STANDARD EQUIPMENT SUMMARY:

WARRANTY 3 years / 36,000 miles

MODEL AVAILABILITY

CC15706 2-Wheel Drive

INTERIOR FEATURES

AIR CONDITIONING	Front and Rear (Includes Rear Heater) Tri-Zone, Manual, Individual, Climate Settings For Driver Right Front Passenger and Rear Passengers
ASSIST HANDLES	Front Passenger and Second Row Outboard
CONSOLE, FLOOR	Deleted
CONSOLE, OVERHEAD	Includes Map Lights and Rear Air Conditioning and Heating Controls
CRUISE CONTROL	Electronic with Set and Resume Speed
FLOOR COVERING	Black Rubberized Vinyl Floor and Load Floor
GLASS	Solar-Ray Deep Tinted (All Windows Except Light Tinted Glass on Windshield, Driver and Front Door Windows)
GROUND STUDS	Two Studs Located in Rear Compartment Near Bottom of Hatch Opening
KEY	Single, Two Sided, Random Code, For Ignition and Driver Door Only
LIGHTING	Dome Lamp, Driver and Passenger Side Door Switch with Delayed Entry Feature, Cargo Lamps, Map Lights, at Front and 2nd Seat Position
POWER OUTLETS	Two Located on Instrument Panel and One in Rear Cargo Area
RADIO	AM/FM Stereo with Seek-Scan and Digital Clock
RESTRAINT SYSTEM	Seat Belts with Driver and Front Passenger Frontal Air Bags and Side-Impact Air Bags
SEATS, FRONT	Custom Cloth Reclining High Back Buckets, Includes Adjustable Head Restraints and Inboard Armrest. Includes 6-Way Power Driver Seat
SEATS, REAR	Vinyl Bench with Fold Down Center Armrest
SECURITY	PassLock II - Requires Correct Ignition Key to Start Engine
SPEEDOMETER/CLUSTER	140 MPH Certified Analog Speedometer - 1 MPH increments, Digital Trip Odometer, with Oil Pressure, Volt Meter, Tachometer, Engine Temperature Gauges, and Hour Meter (To Display the Hour Meter, Turn the Ignition Off, Press and Hold Reset Button for at Least Four Seconds), for Message Center (See Message Center Diagram on page 32).
STEERING COLUMN/WHEEL	Tilt-Wheel, Adjustable, Includes Brake/Transmission Shift Interlock and Theft - Deterrent Locking Feature
VISORS	Padded Driver and Passenger with Cloth Trim, Extenders, Illuminated Vanity Mirrors and Corner Storage Pockets on Back of Visors
WARNING TONE	Key-In-Ignition, Seat Belt, Headlamp and Turn Signal
WINDOW OPERATION	Power

CHEVROLET TAHOE 2-WHEEL DRIVE POLICE PACKAGE - 1ST COMMERCIAL DECOR WITH PPV OPTION

Note: Police Package Option PPV must be ordered. The 2-Wheel Drive Tahoe Police Package is Not Intended for Trailer Towing.

STANDARD EQUIPMENT SUMMARY:

EXTERIOR FEATURES

AIR DAM	Gray - Air Dam Extension Deleted
BUMPER - FRONT	Chrome
BUMPER - REAR	Chrome with Step Pad
DEFOGGER	Rear Window
DOOR HANDLES	Matte Black
DOOR LOCKS	Power, Programmable with Lockout Protection, Door Lock Cylinder No Longer Available on Passenger Front Door and Rear Liftgate
GRILLE	Black with Argent Center Bar
HEADLAMPS	Dual Halogen Composite, Includes Flash-to-Pass Feature and Automatic Lamp Control
KEYLESS ENTRY	Includes Two Transmitters with Panic Button (For Additional Transmitters See Option AMF on Page 31)
LIGHTS	Daytime Running (Off When Transmission is in Park)
LUGGAGE RACK	Deleted, Roof Holes Plugged
MIRRORS	Power Fold-A-Way Heated Outside Rearview
MOLDINGS	Body Side
REAR LIFTGATE	Includes Rear-Window Wiper/Washer (No Lock Cylinder on Liftgate)
RECOVERY HOOKS	Two Front - Recovery Hook Covers Deleted
WINDSHIELD WIPERS	Anti-Lift Driver and Passenger, Intermittent, Front Wet-Arm with Pulse Washers.

CHASSIS FEATURES

ALTERNATOR	160 Amp with Idle Boost
AIR CLEANER	High-Capacity
BATTERY	Heavy-Duty 770 CCA with Battery Rundown Protection (Does Not Protect Customer Installed Equipment)
BRAKES	4-Wheel Anti-Lock Front and Rear Disc with Hydro Boost Power Assist
COOLING	Heavy Duty High Capacity Radiator and Electric Fans
ENGINE	Vortec 5300 V8 SFI with Top Speed Fuel Cut-Off at 125MPH Includes Air Conditioning Wide Open Throttle Cut Off. (Capable of Running on Unleaded or E85 Ethanol)
FRAME	Modular with Hydroformed Frame Rails
FUEL TANK CAPACITY	26 Gallon
OIL COOLERS	Engine Heavy Duty Auxiliary Oil-to-Coolant, Transmission Heavy Duty Auxiliary Air-to-Oil, Power Steering Auxiliary Air-to-Oil
PROP SHAFT	High Speed Balanced Aluminum, Four Inch Diameter
RADIO SUPPRESSION	Grounded Straps, at Five Additional Locations
SKID PLATE	Front Underbody Shield Starting Behind Front Bumper and Running to 1st Cross-Member Protecting Front Underbody and Oil Pan
SPARK PLUGS	Extended Life - Platinum Tip
STEERING	Power, Speed Sensitive
SUSPENSION - FRT	Independent Torsion Bar, with Heavy Duty Stabilizer Bar
SUSPENSION - RR	Multi-Link with Coil Springs and Heavy Duty Stabilizer Bar
TIRE MONITOR	Tire Pressure (Includes Sensor to Spare Tire) Spare Tire Sensor not Programmed
TIRES	255/70R16 All-Season SBR Blackwall, H-Rated
SPARE TIRE	Full-Size Spare Mounted Under Frame at Rear End (Includes Tire Pressure Monitor, Not Programmed)
TRANSMISSION	Enhanced Calibration 4-Speed Automatic w/Overdrive
WHEELS	16" x 6.5" Heavy Duty Steel
WHEEL CENTER CAP	Steel Bolt-on Chrome
WIRING - 12 VOLT	Wiring Provision - Two Battery and Two Ignition Controlled Circuits, 21 Amps Per Circuit. Harness is Located in Front of the Glove Box, Requires Upfitter Installation - Instructions Provided in Owners Manual Supplement.

CHEVROLET TAHOE 2-WHEEL DRIVE POLICE PACKAGE - 1ST COMMERCIAL DECOR WITH PPV OPTION

Note: Police Package Option PPV must be ordered. The 2-Wheel Drive Tahoe Police Package is Not Intended for Trailer Towing.

POWERTRAIN

	MODEL	ENGINE (RPO)	TRANSMISSION	AXLE	GVWR
			M30	GT4	C7H
2WD	CC15706	L59 Vortec 5300 V8 SFI*	4-Speed Auto	3.73	6400 lbs.

NOTE: Must Specify - **FE9** - Federal Emissions,
YF5 - California
NE1 - Maine, Massachusetts, New York or Vermont State Requirements
 *Engine, Vortec 5300 V8 MFI, Flexible Fuel (Gas or E85 Ethanol)

TIRES: SPEED RATED

MANUFACTURER	QUANTITY	SIZE	SPEED RATING	TYPE
General	5	P255/70R16BW	H	All-Season SBR

SEATS AND INTERIOR TRIM

	SEAT OPTIONS	MED. GRAY
STANDARD: Custom Cloth Front Bucket Vinyl Rear 60/40 Split-Bench	A95 5T5	92D

CHEVROLET TAHOE 2-WHEEL DRIVE POLICE PACKAGE - 1ST COMMERCIAL DECOR WITH PPV OPTION

Note: Police Package Option PPV must be ordered. The 2-Wheel Drive Tahoe Police Package is Not Intended for Trailer Towing.

OPTIONAL EQUIPMENT SUMMARY:

AVAILABLE OPTIONS

BVE	Assist Steps
9R4	Body Side Molding Delete
RYJ	Cargo Shade
6E2	Common Key, Same Key Operates Entire Fleet - Different From 6E8
6E8	Common Key, Same Key Operates Entire Fleet - Different From 6E2
9G8	Daytime Running Lights and Automatic Headlights Delete
G80	Differential Locking - Heavy Duty
8Y9	Dual 770 CCA Batteries - Both Batteries Power the Starter
K05	Engine Block Heater
B30	Floor Covering - Color Keyed Carpeting
B58	Floor Mats Color Keyed Carpeted Front and 2nd Row (N/A with Vinyl Floor Covering)
ANJ	Glass - Non-Deep Tinted
V22	Grille - Chrome
AMF	Keyless Entry, Remote Fleet-Package Includes 6 Additional Remotes (Not Programmed - See page 37, Police Package Owners Supplement or Owners Manual)
8X1	Label, Fasten Seat Belts
V54	Luggage Rack - Roof Mounted, Black, Side Rails Only (Center Rails N/A)
5G4	Provision for Roof-Mounted Lamp - Instrument Panel Mounted Switch and Wiring to the Roof. Upfitter to Install and Connect a Roof Mounted Warning Lamp. Instructions Provided in Owner's Manual Supplement.
9RO	Radio - AM/FM Stereo Cassette w/Seek-Scan and Digital Clock
UB1	Radio - ETR AM/FM Stereo with CD and Cassette Player, Includes Seek-and-Scan, Digital Clock, Auto-Tone Control, Random Select, Auto-Reverse Cassette and Radio Data System (RDS)
9V9	Special Paint, Doeskin Tan
9V5	Special Paint, Woodland Green

SPECIAL EQUIPMENT OPTIONS

NOTE: Ship-Through Option VPV is Required on All Police Vehicles and Will Automatically be Placed on the Order. Dealer Should Contact Bid Center for Current Price; Charge will Appear on Dealer Invoice.

6N6	Rear Door Locks Inoperative
6B2	Rear Door Handles Inoperative
7X6	Spotlamp - Left Hand, Separately Fused
7X7	Spotlamps - Left and Right Hand, Separately Fused
6N5	Rear Window Switches Inoperative (Rear Windows Only Operate From Drivers Position.)

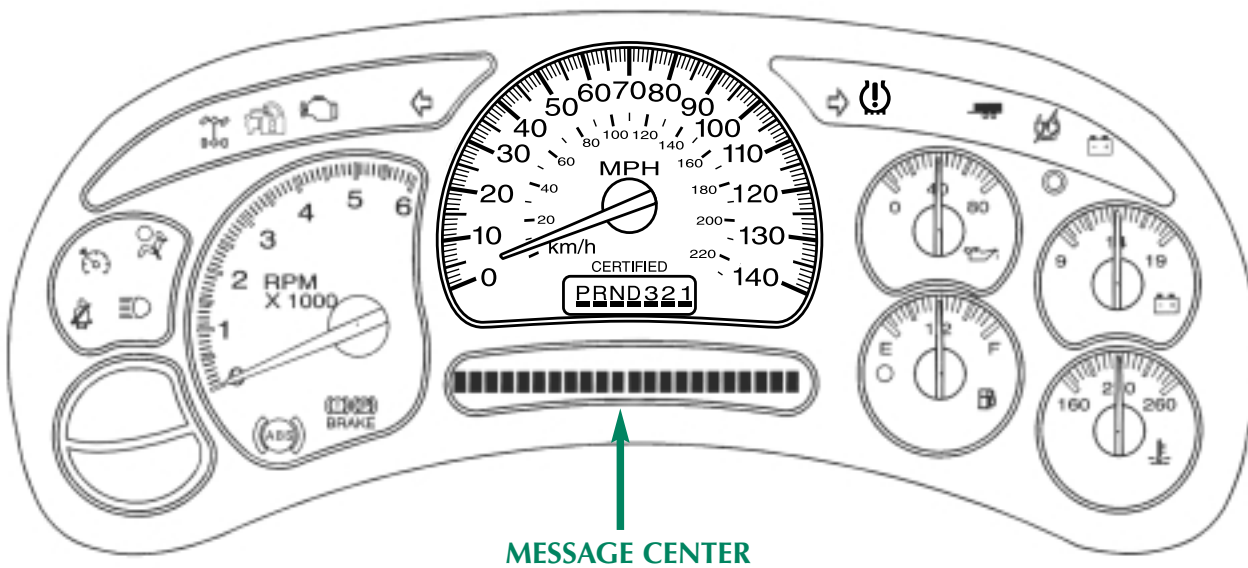
NOTE: TAHOE TURN-KEY PACKAGES Available only through your Chevrolet dealer

- Direct Purchase Equipment is available through dealer direct order and purchase from Kerr Industries (905) 725-6561
- Warranty claims for Direct Purchase Equipment must be directed through Kerr Industries

CHEVROLET TAHOE 2-WHEEL DRIVE POLICE PACKAGE - 1ST COMMERCIAL DECOR WITH PPV OPTION

Note: Police Package Option PPV must be ordered. The 2-Wheel Drive Tahoe Police Package is Not Intended for Trailer Towing.

POLICE TAHOE SPEEDOMETER/CLUSTER



- FUEL LEVEL LOW
- LOW COOLANT LEVEL
- CHECK WASHER FLUID
- ENGINE OVERHEATED
- REDUCED ENGINE POWER
- CHECK ENGINE OIL LEVEL
- CHANGE ENGINE OIL
- TRANSMISSION HOT
- ENGINE COOLANT HOT
- OIL PRESSURE LOW
- BATTERY NOT CHARGING
- REPLACE LIFTGATE FUSE
- SERVICE CHARGING SYSTEM
- CHARGING SYS. FAILURE

- SERVICE BRAKE SYSTEM
- SERVICE AIRBAG
- REAR ACCESS OPEN
- TURN SIGNAL ON
- DRIVER DOOR AJAR
- PASSENGER DOOR AJAR
- RIGHT REAR DOOR AJAR
- LEFT REAR DOOR AJAR
- KEYFOB X BATTERY LOW
- SEATBELT REMINDER
- TRANS HOT IDLE ENGINE
- TRANS IN WARMUP
- CHECK TIRE PRESSURE
- TIGHTEN FUEL CAP

CHEVROLET TAHOE 2-WHEEL DRIVE POLICE PACKAGE

SPECIFICATIONS

GENERAL

Model	4 Door
Drive	2-Wheel

EXTERIOR (in/mm)

Wheelbase	116/2946
Overall Length	198.8/5050
Overall Width	78.8/2002
Overall Height	72.0/1830
Tread Front	65.0/1651
Tread Rear	66.0/1676
Turning Diameter curb to curb (ft./m)	38.3/11.7

FRONT COMPARTMENT (in/mm)

Head Room	40.7/1034
Shoulder Room	65.2/1656
Hip Room	61.4/1560
Leg Room (maximum)	41.3/1049

REAR COMPARTMENT (in/mm)

Head Room	39.4/1001
Shoulder Room	65.1/1654
Hip Room	61.3/1557
Leg Room (minimum)	38.6/980

CARGO CAPACITY

Behind 2nd Seat (cu ft)	104.6
-------------------------	-------

EPA FUEL ECONOMY RATINGS CITY/HIGHWAY

5.3L Engine 2WD	15/20
-----------------	-------

Projected EPA label values, actual mileage will vary with options, driving conditions, driving habits and vehicles condition.

ALTERNATOR

Type	E8+
Amps	77F(25C), 14.0 volts
Amps @ idle	77F(25C), 14.0 volts

Features:

- Sealed High Capacity Bearings
- Transient Voltage Spike Protection
- Vehicle Low Voltage Idle Boost Compatible
- Load Response Control
- Reduced RFI

ENGINE

Type	STD
Type	VORTEC V8
Displacement: Liters	5.3L
Horsepower/NHP	285 @ 5200 RPM
Torque/LB.FT.	325 @ 4000 RPM
Induction System	SFI
Compression Ratio	9.5:1
Exhaust	Single
Minimum Recommended Fuel Octane	87
Fuel Tank Capacity (Gallons/Liters)	26/98.4

TRANSMISSION

Automatic Electronic with Overdrive	4-speed
-------------------------------------	---------

AXLE

Ratio 2-Wheel Drive	3.73
---------------------	------

BRAKES

ABS with Hydro-Boost	Disc/Disc
Front /Swept Area (sq.in.)	213
Rear /Swept Area (sq.in.)	133
Total Front and Rear Swept Area (sq.in.)	346

TIRES

Type	H- Rated All-Season
Size	P255/70R16

WHEELS

Type	H-Rated Steel
Size	16" x 6.5"

CHASSIS

Frame	Full Perimeter Steel
Front Suspension	Independent, Single Lower Arm with Torsion Bar
Rear Suspension	Multi-Link with Coil Spring
Steering Type	Power-assisted Recirculating Ball

VEHICLE WEIGHT

GVWR (lbs.)	6400
Curb (lbs)	5007
Payload (lbs.)	1393

Note: Payload and curb weight will vary with option content

BATTERY

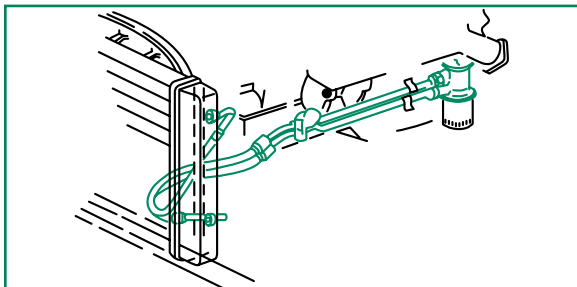
Type	Maintenance Free
BCI Group Size	78
Volts	12
Amp Hour Rating	63
Cold Cranking Amps @ 0°F (-18°C)	770
Reserve Capacity @ 80°F (27°C)	115

Features:

- Maintenance-Free Design
- Built-In Flame Arrester
- Built-In Hydrometer
- Side-Mounted Terminals
- Reinforced Polypropylene Case

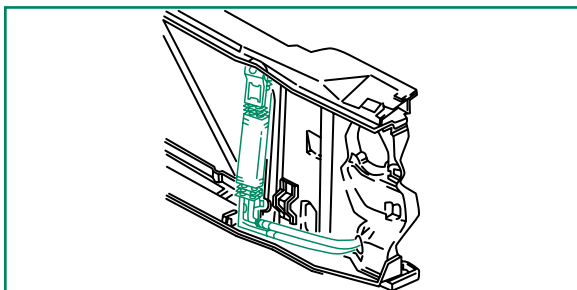
DESCRIPTION OF STANDARD SPECIAL EQUIPMENT TAHOE 2-WHEEL DRIVE POLICE PACKAGE

ENGINE OIL COOLER



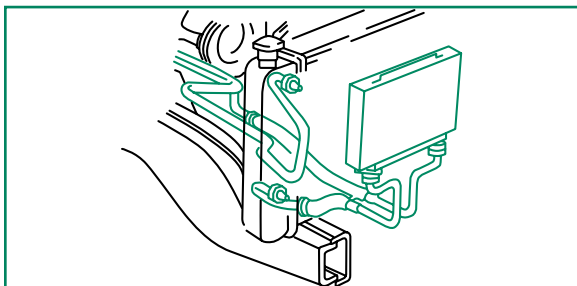
Engine oil cooler located in the left hand radiator tank. Cooler consists of an inlet and an outlet pipe attached to the engine oil filter adapter which transmits the oil to the cooler and then back to the engine. The cooler itself consists of numerous flat plates through which the hot oil flows, transmitting heat to the coolant and cooling the oil.

POWER STEERING COOLER



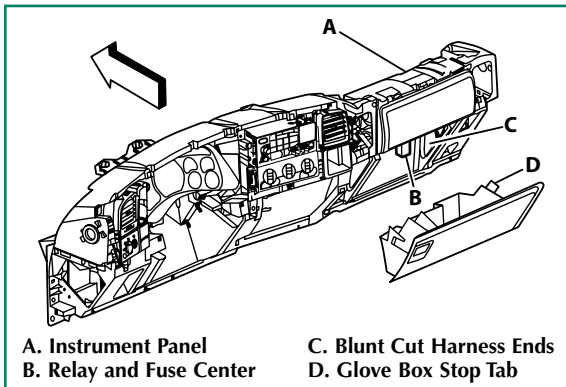
Vertical finned cooler is mounted at the left end of the radiator and connected in-line between the power steering pump and steering gear.

TRANSMISSION OIL COOLER



External air-to-oil cooler is mounted in front of coolant radiator and AC condenser at the center and is connected in series with the integral transmission oil cooler in the right end tank of the coolant radiator.

WIRING PROVISION, AUXILIARY BATTERY POWER

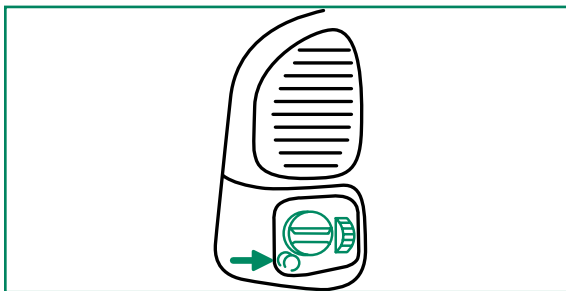


- A. Instrument Panel
- B. Relay and Fuse Center
- C. Blunt Cut Harness Ends
- D. Glove Box Stop Tab

Your vehicle is equipped with wiring provision for 12 volt fused battery power. Providing two 30-amp battery powered circuits and two 30-amp ignition controlled circuits. The wiring harness is located in front of the glove compartment with a 40-amp fuse which must be installed in the engine compartment electrical center. The owner's manual supplement provides a wiring diagram to aid in connecting customer equipment.

NOTE: The maximum rated electrical load for each circuit is 21-amps (250 watts)

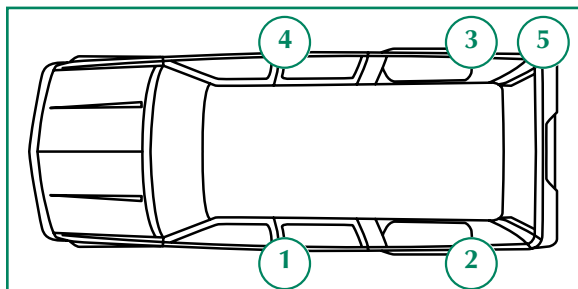
INOPERATIVE INTERIOR LAMPS SWITCH



Courtesy Lamps, including dome lamps, can be turned off with a push button switch which is part of the headlamp switch module. When the switch is activated, courtesy lamps remain off when any vehicle door is open. If a door is open when the switch is activated, the lamps will go off. The instrument cluster and radio lighting dimmer control will override the push button switch to turn on the courtesy lamps.

DESCRIPTION OF STANDARD SPECIAL EQUIPMENT TAHOE 2-WHEEL DRIVE POLICE PACKAGE

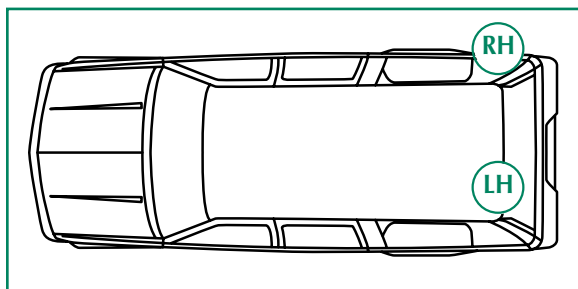
RADIO SUPPRESSION GROUND STRAPS



Police Package is equipped with additional grounding in the following locations:

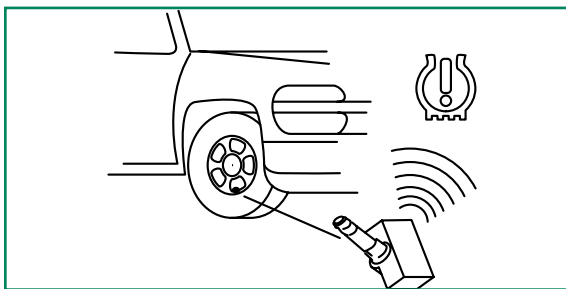
1. Left hand front frame body mount bracket to underbody
2. Left hand rear frame body mount bracket to rear underbody
3. Right hand rear frame body mount bracket to rear underbody
4. Right hand center frame body mount bracket to center underbody
5. Exhaust pipe hanger rod to rear frame hanger

EQUIPMENT GROUNDING STUDS - REAR COMPARTMENT



Tahoe Police Package has grounding studs located at the lower left and right hand rear compartment hatch opening for connection to customer electrical equipment. A five foot blunt cut length of #8 awg copper wire is coiled inside the jack stowage compartment to permit grounding of electrical equipment which may be mounted forward in the rear compartment and behind the second seat back.

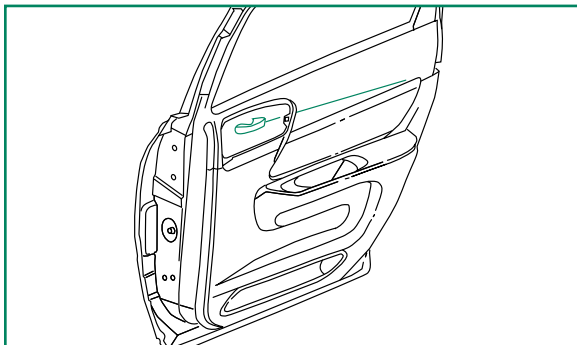
TIRE PRESSURE MONITOR



Your vehicle is equipped with a Tire Pressure Monitor (TPM) system which warns of low tire pressure and indicates which of the four road wheels has low tire pressure. The TPM system on your Tahoe Police Package has a spare tire sensor but is not programmed to read the spare tire pressure. When the spare tire from your vehicle or an unused spare tire from another Police Package is placed in use as a road wheel, the system will NOT read the presence of the new TPM sensor and must be calibrated. Refer to your Owner's Manual for additional information on the tire pressure monitor and sensor programming.

DESCRIPTION OF OPTIONAL SPECIAL EQUIPMENT TAHOE 2-WHEEL DRIVE POLICE PACKAGE

6N6 LOCKS REAR DOOR INOPERATIVE



Rear door locking rods are disabled. Rear door locks are inoperable at rear doors, but operate from driver position.

6B2 HANDLES REAR DOOR INOPERATIVE



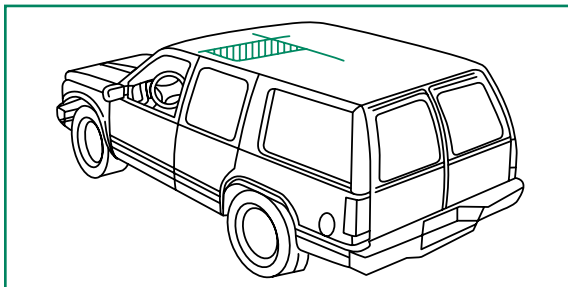
Inside rear door handles are disconnected. Rear doors can only be opened from the outside.

6N5 SWITCHES REAR WINDOW INOPERATIVE



Rear door window switches are inoperable. Rear door power regulators are operable only from driver position switches.

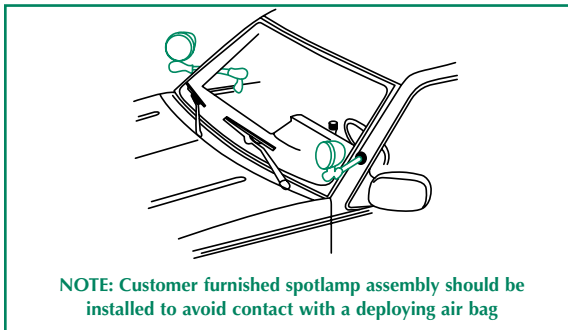
5G4 WIRING FOR ROOF LIGHTING



Battery power is supplied through a 30-amp fuse to two bluntcut wires located in the roof approximately 32 inches rearward of the windshield and left of the roof centerline. Power is controlled with a switch located in the instrument panel near the climate controls. Customer can connect a light directly to the wires in the roof or purchase an external wiring and sealing grommet are shipped loose in the glove box. Customer must drill the hole in the roof. An owners manual supplement provides installation instructions.

Note: The maximum rated electrical load is 21 amps (250 watts). Running the accessory lamp for long periods of time with the engine off may run the battery down.

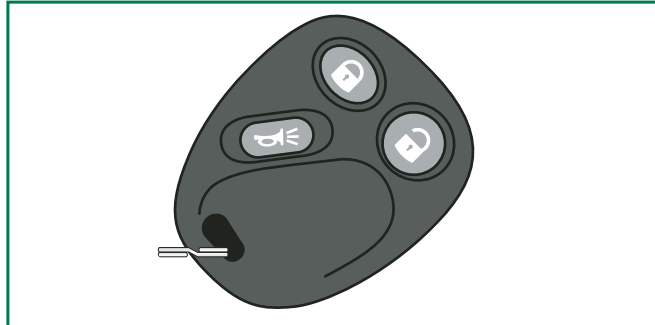
SPOTLAMPS



- 7X6 Spotlamp Left Hand, pillar-mounted Unity, 6 inch with replaceable H3 halogen bulb; independently fused
- 7X7 Spotlamps Left- and Right-Hand, pillar-mounted Unity, 6 inch with replaceable H3 halogen bulb; independently fused

DESCRIPTION OF OPTIONAL SPECIAL EQUIPMENT TAHOE 2-WHEEL DRIVE POLICE PACKAGE

AMF-REMOTE KEYLESS ENTRY FLEET PACKAGE



INCLUDES 6 UNPROGRAMMED ADDITIONAL REMOTES

Transmitter Programming

Note: Do not operate or program the transmitters in the vicinity of other vehicles that are in the keyless entry program mode. This prevents the programming of the transmitters to the incorrect vehicle. This feature is intended for customer activation. Programming of these remotes is not covered under warranty nor is it a part of normal dealer delivery preparation. Additional charges may be incurred if you require the dealer to activate this feature prior to delivery.

Up to 4 transmitters may be programmed to the passenger door module (PDM). Each programmed transmitter is given a position of #1 - #4 in the PDM memory.

All transmitters which are to be recognized by the PDM must be programmed in a single programming sequence. When using this program method, all previously programmed transmitters will be erased upon the receipt of the programming signal from the first transmitter.

The order in which the transmitters are programmed will determine its numbering position within the PDM memory. The first transmitter programmed will be transmitter #1, and the second transmitter programmed will be transmitter #2. The number stamped on the transmitter case is for reference only; #2 can be programmed as #1, or vice versa. Additional unnumbered transmitters are also available.

1. Close all vehicle doors.
2. Insert the ignition key into the ignition lock cylinder.
3. Press and hold the door unlock switch.
4. While holding the door lock switch in the unlock position, cycle the ignition ON, OFF, ON, OFF.
5. Release the door unlock switch. The doors will lock and unlock to confirm the program mode.
6. Press and hold the LOCK button and the UNLOCK button simultaneously on one transmitter. After a delay of approximately 15 seconds, the doors will lock and unlock to confirm the programming of that transmitter.
7. Repeat the previous step to program up to 4 transmitters.
8. Turn the ignition switch to the RUN position in order to exit the keyless entry transmitter programming mode.
9. Operate the transmitter function in order to verify correct system operation.



Tahoe 4WD 5W4 Special Service Package

CHEVROLET TAHOE 4-WHEEL DRIVE SPECIAL SERVICE 1ST COMMERCIAL DECOR WITH 5W4 OPTION

Special Service Package option 5W4 must be ordered when used for law enforcement and requires FE9 Federal Emissions

**NOTE: THIS VEHICLE IS NOT DESIGNED NOR INTENDED FOR USE IN HIGH SPEED
EMERGENCY VEHICLE OPERATIONS.**

STANDARD EQUIPMENT SUMMARY:

WARRANTY	3 years / 36,000 miles
-----------------	------------------------

MODEL AVAILABILITY

CK15706	4-Wheel Drive
----------------	---------------

INTERIOR FEATURES

AIR CONDITIONING	Front and Rear Tri-Zone, Manual, Individual, Climate Settings For Driver Right Front Passenger and Rear Passengers
ASSIST HANDLES	Front Passenger and Second Row Outboard
CONSOLE OVERHEAD	Includes Map Lights and Rear Air Conditioning and Heating Controls
CRUISE CONTROL	Electronic with Set and Resume Speed
FLOOR COVERING	Carpeting with Carpeted Mats
GLASS	Solar-Ray Deep Tinted (All Windows Except Light Tinted Glass on Windshield, Driver and Front Passenger Door Windows)
KEY	Single, Two Sided Random Code, for Ignition and Drivers Door Only.
LIGHTING	Dome Lamp, Driver and Passenger Side Door Switch with Delayed Entry Feature, Cargo Lamps, Map Lights, at Front and 2nd Seat Position
POWER OUTLETS	Two Located on Instrument Panel and One in Rear Cargo Area
RADIO	AM/FM Stereo w/Seek-Scan and Digital Clock (Requires AE7 Bench Seat or 9N5 Console Delete)
RESTRAINT SYSTEM	Seat Belts with Driver and Front Passenger Frontal Air Bags (Side Impact Optional)
SEATS - FRONT	Custom Cloth 40/20/40 Reclining Split Bench (Power Driver Seat Only)
SEATS - REAR	Custom Cloth 60/40 Split Folding Bench
SECURITY	PassLock II Requires Correct Ignition Key to Start Engine.
SPEEDOMETER/CLUSTER	120 Analog Speedometer, Digital Trip Odometer, with Oil Pressure, Volt Meter, Tachometer and Engine Temperature Gauges, Hour Meter (To Display the Hour Meter, Turn the Ignition Off, Press and Hold Reset Button for at Least Four Seconds), for Message Center (See Message Center Diagram on page 44).
STEERING COLUMN/WHEEL	Tilt-Wheel, Adjustable, Includes Brake/Transmission Shift Interlock and Theft - Deterrent Locking Feature
VISORS	Padded Driver and Passenger with Cloth Trim, Extenders, Illuminated Vanity Mirrors and Corner Storage Pockets on Back of Visors
WARNING TONE	Key-In-Ignition, Seat Belt, Headlamp and Turn Signal
WINDOW OPERATION	Power

CHEVROLET TAHOE 4-WHEEL DRIVE SPECIAL SERVICE 1ST COMMERCIAL DECOR WITH 5W4 OPTION

Special Service Package option 5W4 must be ordered when used for law enforcement and requires FE9 Federal Emissions

STANDARD EQUIPMENT SUMMARY:

EXTERIOR FEATURES

AIR DAM	Gray
BUMPER - FRONT	Chrome
BUMPER - REAR	Chrome with Step Pad
DEFOGGER	Rear Window
DOOR HANDLES	Matte Black
DOOR LOCKS	Power, Programmable with Lockout Protection, Door Lock Cylinder No Longer Available on Passenger Front Door and Rear Liftgate.
GRILLE	Chrome
HEADLAMPS	Dual Halogen Composite, Includes Flash-to-Pass Feature and Automatic Lamp Control
KEYLESS ENTRY	Includes Two Transmitters with Panic Button (For Additional Transmitters See Options AMF on Page 31)
LIGHTS	Daytime Running (Off When Transmission is in Park)
LUGGAGE RACK	Roof-mounted, Adjustable Black (Side Rails on Only)
MIRRORS	Power Matte Black Fold-A-Way
MOLDINGS	Body Side
REAR LIFTGATE	Includes Rear-Window Wiper/Washer (No Lock Cylinder on Liftgate)
RECOVERY HOOKS	Two Front
WINDSHIELD WIPERS	Intermittent Windshield with Pulse Washers
WIRE HARNESS	7-Wire Trailering

CHASSIS FEATURES

ALTERNATOR	145 Amp
BATTERY	Heavy-Duty 600 CCA with Battery Rundown Protection (Does Not Protect Customer Installed Equipment)
BRAKES	4-Wheel Anti-Lock Front and Rear Disc with Hydro Boost Power Assist
ENGINE	Vortec 4800 V8
FRAME	Modular with Hydroformed Frame Rails
FUEL TANK CAPACITY	26 Gallon
OIL COOLERS	Transmission (Radiator End Tank), Power Steering Air to Oil
SPARK PLUGS	Extended Life - Platinum Tip
STEERING	Power, Speed-Sensitive
SUSPENSION - FRT	Independent Torsion Bar, with Stabilizer Bar
SUSPENSION - RR	Multi-Link with Coil Springs with Stabilizer Bar
TIRE MONITOR	Tire Pressure (Includes Sensor to Spare Tire) Spare Tire Sensor Not Programmed
TIRES	LT245/75R16 All-Season SBR WOL
SPARE TIRE	Full-Size - Mounted Under Rear Frame with Lock
TRANSMISSION	4-Speed Automatic w/Overdrive and Tow/Haul Mode
TRAILER HITCH	Standard
TRANSFER CASE	Autotrac®, Active 4WD model only
WHEELS	16" x 6.5" Argent Steel Disc
WHEEL CENTER CAP	Argent, Retained to Wheel Lugnuts

CHEVROLET TAHOE 4-WHEEL DRIVE SPECIAL SERVICE 1ST COMMERCIAL DECOR WITH 5W4 OPTION

Special Service Package option 5W4 must be ordered when used for law enforcement and requires FE9 Federal Emissions

POWERTRAIN

	MODEL	ENGINE (RPO)	TRANSMISSION	AXLE			GVWR	
			M30 4-SPEED AUTO	GU6 3.42	GT4 3.73	GT5 4.10	C7K 6500 lbs.	C5U 6800 lbs.
4WD	CK15706	LR4 Vortec 4800 V8 SFI	S		S	A		S
	CK15706	L59 Vortec 5300 V8 SFI*	S		S	A		S

NOTE: Must Specify FE9 Federal Emissions

*Engine, Vortec 5300 V8 MFI, Flexible Fuel (Gas or E85 Ethanol)

TIRES

STANDARD	MANUFACTURER	QUANTITY	SIZE	SPEED RATING	TYPE
QNL	Varies	5	LT245/75R16 WOL	S	On-Off Road

SEATS AND INTERIOR TRIM

	SEAT OPTIONS	MED. GRAY
STANDARD: Custom Cloth Front 40/20/40 Reclining Split-Bench Custom Cloth Rear 60/40 Split-Bench	AE7	92D
OPTIONAL: Vinyl 40/20/40 Reclining Split-Bench Vinyl Rear 60/40 Split-Bench	AE7	92V
OPTIONAL: Custom Cloth Front 40/20/40 Reclining Split-Bench Vinyl Rear 60/40 Split-Bench	AE7 5T5	92D
OPTIONAL: Custom Cloth Front Bucket Custom Cloth Rear 60/40 Split-Bench	*A95	92D
OPTIONAL: Custom Cloth Front Bucket Vinyl Rear 60/40 Split-Bench	*A95 5T5	92D

*NOTE: Option 9N5 Must Be Ordered if Console Delete is Desired.

CHEVROLET TAHOE 4-WHEEL DRIVE SPECIAL SERVICE 1ST COMMERCIAL DECOR WITH 5W4 OPTION

Special Service Package option 5W4 must be ordered when used for law enforcement and requires FE9 Federal Emissions

OPTIONAL EQUIPMENT SUMMARY:

AVAILABLE OPTIONS

5T5	Allows Vinyl 2nd Row with Cloth Front Seat
K47	Air Cleaner, High Capacity
BVE	Assist Steps
7Y9	Battery, Single 770 CCA
9R4	Body Side Molding Delete
A95	Bucket 92D Cloth Seats-Power Driver (for Vinyl 2nd Row 5T5 Required)
PDC	Cargo Shade, Cargo Net, Roof Rack Bars, etc.
6E2	Common Key, Same Key Operates Entire Fleet Different from 6E8
6E8	Common Key, Same Key Operates Entire Fleet Different from 6E2
9G8	Daytime Running Lights and Automatic Headlights Delete (Requires 5W4)
8Y9	Dual 770 CCA Batteries (Requires 5W4)
K05	Engine Block Heater
KNP	External Transmission Oil Cooler (Air-to-Oil)
BC9	Floor Covering: Vinyl
T96	Fog Lamps, Front Rectangular Halogen
9N5	Front Floor Console Delete (Requires A95 & Base Radio)
7B7	Grille, Austere
C36	Heater - Rear
5W4	Identifier, Special Services Package
AMF	Keyless Entry, Remote Fleet-Package Includes 6 Additional Remotes (Not Programmed - See page 37, Police Package Owners Supplement or Owners Manual)
8X1	Label, Fasten Seat Belts
G80	Locking Differential
JF4	Power Adjustable Pedals (N/A with 9L4)
DPF	Power Extendable Trailering Mirrors
5G4	Provision for Roof-Mounted Lamp - Instrument Panel Mounted Switch and Wiring to the Roof. Upfitter to Install and Connect a Roof Mounted Warning Lamp. Instructions Provided in Owner's Manual Supplement.
9RO	Radio - AM/FM Stereo Cassette w/Seek-Scan and Digital Clock
UB1	Radio - ETR AM/FM Stereo with CD and Cassette Player, Includes Seek-and-Scan, Digital Clock, Auto-Tone Control, Random Select, Auto-Reverse Cassette and Radio Data System (RDS)
AJ7	Side-Impact Airbags
NZZ	Skid Plates Package
9W3/9W4	Special Paint, Wheatland Yellow/Tangier Orange
9V5/9V9	Special Paint, Woodland Green/Doeskin Tan
QBN	Tires, LT245/75R16/C ON/OFF Road (Requires 9G3)
Z82	Trailer Package: Includes Trailer Hitch Platform, 7-Lead Wiring Connector and Trailer Brake Pre-Wire Harness, Transmission Oil Cooler (N/A with 4.8L Engine and 3.42 Rear Axle)
PF4	Wheels, Uplevel Aluminum
9L4	Wiring Provision, 12 Volt Power Supply (N/A with JF4) - Two Fused Battery and Two Fused Ignition Controlled Circuits
9G3	Z71 Off Road Suspension (Requires QBN Tire and includes NZZ Skid Plates, K47 High Capacity Air Cleaner, No Z71 Decal)

CHEVROLET TAHOE 4-WHEEL DRIVE SPECIAL SERVICE 1ST COMMERCIAL DECOR WITH 5W4 OPTION

Special Service Package option 5W4 must be ordered when used for law enforcement and requires FE9 Federal Emissions

OPTIONAL EQUIPMENT SUMMARY:

SPECIAL EQUIPMENT OPTIONS

NOTE: When special equipment options are ordered option code VPV must be on the order.
Dealer should contact bid center for current price; charge will appear on dealer invoice.

MID-MODEL YEAR INTRODUCTION, SEE DEALER FOR AVAILABILITY PRIOR TO PLACING ORDER

6B2	Rear Door Handles Inoperative
6N6	Rear Door Locks Inoperative
6N5	Rear Window Switches Inoperative, Rear Window Only Operates from Drivers Position
VPV	Ship-Through, Kerr Industries
7X6	Spotlamp - Left Hand, Separately Fused
7X7	Spotlamp - Left and Right Hand, Separately Fused
UT7	Two Ground Studs - Located in Rear Compartment Near Bottom of Hatch Opening
UN9	Radio Suppression - Five Additional Locations

For Description of Special Equipment Options See Page 36 and 37

- NOTE:** TAHOE TURN-KEY PACKAGES *Available only through your Chevrolet dealer*
- Direct Purchase Equipment is available through dealer direct order and purchase from Kerr Industries (905) 725-6561
 - Warranty claims for Direct Purchase Equipment must be directed through Kerr Industries

CHEVROLET TAHOE 4-WHEEL DRIVE SPECIAL SERVICE 1ST COMMERCIAL DECOR WITH 5W4 OPTION

Special Service Package option 5W4 must be ordered when used for law enforcement and requires FE9 Federal Emissions

TAHOE SPEEDOMETER/CLUSTER



MESSAGE CENTER

FUEL LEVEL LOW	SERVICE BRAKE SYSTEM
LOW COOLANT LEVEL	SERVICE AIRBAG
CHECK WASHER FLUID	REAR ACCESS OPEN
ENGINE OVERHEATED	TURN SIGNAL ON
REDUCED ENGINE POWER	DRIVER DOOR AJAR
CHECK ENGINE OIL LEVEL	PASSENGER DOOR AJAR
CHANGE ENGINE OIL	RIGHT REAR DOOR AJAR
TRANSMISSION HOT	LEFT REAR DOOR AJAR
ENGINE COOLANT HOT	KEYFOB X BATTERY LOW
OIL PRESSURE LOW	SEATBELT REMINDER
BATTERY NOT CHARGING	TRANS HOT IDLE ENGINE
REPLACE LIFTGATE FUSE	TRANS IN WARM-UP
SERVICE CHARGING SYSTEM	CHECK TIRE PRESSURE
CHARGING SYSTEM FAILURE	TIGHTEN FUEL CAP
	SERVICE 4WD

CHEVROLET TAHOE 4-WHEEL DRIVE SPECIAL SERVICE PACKAGE SPECIFICATIONS

GENERAL

Model	4 Door
Drive	4-Wheel

EXTERIOR (in/mm)

Wheelbase	116/2946
Overall Length	198.8/5050
Overall Width	78.8/2002
Overall Height	76.3/1938
Tread Front	65.0/1651
Tread Rear	66.0/1676
Turning Diameter curb to curb (ft./m)	38.3/11.7

FRONT COMPARTMENT (in/mm)

Head Room	40.7/1034
Shoulder Room	65.2/1656
Hip Room	61.4/1560
Leg Room (maximum)	41.3/1049

REAR COMPARTMENT (in/mm)

Head Room	39.4/1001
Shoulder Room	65.1/1654
Hip Room	61.3/1557
Leg Room (minimum)	38.6/980

CARGO CAPACITY

Behind 2nd Seat (cu ft)	104.6
-------------------------	-------

EPA FUEL ECONOMY RATINGS CITY/HIGHWAY

4.8L Engine 4WD	14/18
5.3L Engine 4WD	14/18

Projected EPA label values, actual mileage will vary with options, driving conditions, driving habits and vehicles condition.

ALTERNATOR

Type	AD244
Amps	145
Amps @ idle	59

Features:

- Sealed High Capacity Bearings
- Transient Voltage Spike Protection
- Vehicle Low Voltage Idle Boost Compatible
- Load Response Control
- Reduced RFI

ENGINE

	STD	OPT
Type	VORTEC V8	VORTEC V8
Displacement: Liters	4.8L	5.3L
Horsepower/NHP	275 @ 5200 RPM	285 @ 5200 RPM
Torque/LB.FT.	290 @ 4000 RPM	325 @ 4000 RPM
Induction System		SFI
Compression Ratio		9.5:1
Exhaust		Single
Minimum Recommended Fuel Octane		87
Fuel Tank Capacity (Gallons/Liters)		26/98.4

TRANSMISSION

Automatic Electronic with Overdrive	4-speed
-------------------------------------	---------

AXLE

Ratio 4-Wheel Drive	3.73
---------------------	------

BRAKES

ABS Hydro Boost	Disc/Disc
Front /Swept Area (sq.in.)	213
Rear /Swept Area (sq.in.)	133
Total Front and Rear Swept Area (sq.in.)	346

TIRES

Type	All-Season
Size	P245/75R16

WHEELS

Type	Steel
Size	16" x 6.5"

CHASSIS

Frame	Full Perimeter Steel
Front Suspension	Independent, Single Lower Arm with Torsion Bar
Rear Suspension	Multi-Link with Coil Spring
Steering Type	Power-assisted Recirculating Ball

VEHICLE WEIGHT

GVWR (lbs.) 4-Wheel	6800
Curb (lbs)	2WD - 5070 / 4WD - 5305
Payload (lbs.) 4-Wheel	1495

Note: Payload and curb weight will vary with option content

BATTERY

Type	Maintenance Free
BCI Group Size	78
Volts	12
Amp Hour Rating	69
Cold Cranking Amps @ 0°F (-18°C)	600
Reserve Capacity @ 80°F (27°C)	115

Features:

- Maintenance-Free Design
- Built-In Flame Arrester
- Built-In Hydrometer
- Side-Mounted Terminals
- Reinforced Polypropylene Case



Express Van Prisoner Transport Vehicle

CHEVROLET EXPRESS VAN PRISONER TRANSPORT VEHICLE - 1SA PACKAGE

NOTE: This Vehicle is Not Designed Nor Intended for High Speed Emergency Vehicle Operation.

STANDARD EQUIPMENT SUMMARY:

Model: CG33706

WARRANTY	3 years / 36,000 miles
-----------------	------------------------

INTERIOR FEATURES

AIR BAGS	Driver and Front passenger
AIR CONDITIONING	Front and Rear (Includes Rear Heater)
CRUISE CONTROL	Electronic With Set and Resume Speed
CUPHOLDERS	Three on Engine Console Cover
DEFOGGERS	Side Windows
GLASS	Solar-Ray, Light Tinted
INSTRUMENTATION	Analog Engine Temperature, Speedometer, Odometer, Fuel Level, Oil Pressure, Trip Odometer, Voltmeter, (Oil Life Monitor and Low Oil, Low Coolant, Low Fuel Warnings)
LIGHTING	Three Dome Lamps, with Defeat Switch and Door-activated Switches
POWER OUTLET	Two Covered
RADIO	AM/FM stereo, Seek-and-Scan, Digital Clock and 4 Speakers
STEERING COLUMN	Tilt
THEFT-DETERRENT SYSTEM	PassLock

EXTERIOR FEATURES

BUMPERS	Front, Painted, Black and Rear, Painted, Black with Entry-assist Step
DOORS	Swing-out Side, 60/40 Split
GRILLE	Molded in Black
HEADLAMPS	Single Rectangular Halogen
MIRRORS	Outside, LH and RH, Manual, Foldaway, Black

INTERIOR TRIM

FLOOR COVERING	Vinyl Floormat, Full-width, Embossed, Black, Over Entire Floor Area and Front Wheel Housing
SEATS	Front Vinyl High-Back Buckets, Adjustable and Reclining with Bench Rear Seats in Vinyl Trim

EXTERIOR TRIM

LICENSE PLATE BRACKET	Front and Rear
------------------------------	----------------

CHEVROLET EXPRESS VAN PRISONER TRANSPORT VEHICLE - 1SA PACKAGE

STANDARD EQUIPMENT SUMMARY (continued):

CHASSIS FEATURES

ALTERNATOR	145 amp
BATTERY	Heavy-duty, 600 CCA
BRAKES	Power-assisted 4-wheel Disc, with 4-wheel Anti-lock
ENGINE	Vortec 6000 V8
EXHAUST	Aluminized Stainless-steel Muffler and Tailpipe
FUEL TANK CAPACITY	31 Gallon
SPARE TIRE/WHEEL	Full-size, underbody-mounted
SUSPENSION - FRONT	Independent with Coil Spring and Stabilizer Bar
SUSPENSION - REAR	Two Stage, Semi-Elliptic Mult-Leaf Springs and Full Floating Rear Axle Shaft
TIRES	LT245/75R16E All-season, Steel-belted Radial, Blackwall with Full Size Spare
TRANSMISSION	4-speed Automatic Heavy Duty Electronically Controlled with Overdrive, Tow Haul Mode and External Transmission Oil Cooler
WHEELS	16" x 6.5" Steel

POWERTRAIN

ENGINE				TRANSMISSION		AXLE	
STANDARD	TYPE	DISPLACEMENT LITERS/CU. IN.	FUEL SYSTEM	STANDARD	TYPE	OPTION CODE	RATIO
LQ4	V8	6.0 (366) Gas	SFI	MT1	H/D 4-speed Auto w/OD	GT4 GT5(Opt.)	3.73 4.10

Note: When LQ4 engine is ordered you must specify emission type
FE9 - Federal YF5 - California NG1 - Northeast States

SEATS AND INTERIOR TRIM COLORS

	SEAT OPTION	CODE	Color
STANDARD - Front: Vinyl Trimmed High-back Buckets, Adjustable and Reclining Rear: Vinyl Trimmed Bench Seat	AR7	93W	Medium Dark Pewter

Note: Vinyl trim only available in Medium Dark Pewter

CHEVROLET EXPRESS VAN PRISONER TRANSPORT VEHICLE - 1SA PACKAGE

REGULAR PRODUCTION OPTIONS

	DESCRIPTION
V10	COLD CLIMATE PACKAGE - Includes Engine Block Heater
C49	DEFOGGERS - Rear Window, Requires Tinted Glass
YA2	DOORS - Rearward Sliding Side
AJ1	GLASS - Solar-Ray, Deep Tinted
C36	HEATER - Rear (Included with C69 Rear Air Conditioning)
TR9	LIGHTING - Reading Lamps, Underhood Lamp and Stepwell Lights on Front and Side Doors
DE5	MIRRORS - Outside, LH and RH, Remote Control, Electric, Foldaway with Defog Feature (Requires ZQ2)
DE7	MIRRORS - Outside, LH and RH, Remote Control Electric, Foldaway with Defog Feature and Integrated Turn Signal Indicators, (Not Available in the Following States, MD, TX, VT, VA, NJ and WA)
ZQ2	CONVENIENCE GROUP - Power Door Locks and Windows
AS5	SEATS - Front, Buckets, Deluxe, Inboard Armrest, with Custom Cloth Trim* (Bench Rear Seat with Cloth Trim)
5T5	SEATS - Front, Buckets, Deluxe, Inboard Armrest, with Custom Cloth Trim* (Bench Rear Seats with Vinyl Trim)
ZP3	SEATS - 15-passenger Seating
U1C	SOUND SYSTEM - AM/FM Stereo, CD, Seek-and-scan, Digital Clock and Theftlock
Z82	TRAILERING SPECIAL EQUIPMENT - Heavy-duty, incl. Platform Trailer Hitch and 7-wire Harness

* For Color and Trim Availability Refer to Retail Brochure

CHEVROLET EXPRESS VAN - PRISONER TRANSPORT VEHICLE SPECIFICATIONS

GENERAL

Model	CG33706
Drive	Rear Wheel

EXTERIOR (in/mm)

Wheelbase	155.0/3937
Overall Length	238.8/6066
Overall Width	79.5/2019
Overall Height	82.8/2103
Tread Front	67.8/1722
Tread Rear	67.2/1709
Turning Diameter curb to curb (ft.)	53.5/1631

FRONT COMPARTMENT (in/mm)

Head Room	40.6/1032
Shoulder Room	68.8/1748
Hip Room	63.9/1623
Leg Room (maximum)	41.2/1047

REAR COMPARTMENT (in/mm)

Head Room	Varies
Shoulder Room	Depending
Hip Room	on Seating
Leg Room (minimum)	Arrangement

CARGO CAPACITY (cu.ft.)

12 Passenger	57.0
15 Passenger	N/A

ALTERNATOR

STD.With Rear AC

Type	AD244
Amps	145
Amps @ idle	59

ENGINE

Gas

Type	V8
Displacement: Liters (cu. in.)	6.0 (366)
Horsepower/RPM	255 @ 4600
Torque/RPM	330 @ 2800
Fuel System	SFI
Compression Ratio	9.4:1
Exhaust	Single
Minimum Recommended Fuel	87
Fuel Tank Capacity (Gallons/Liters)	31

TRANSMISSION

Automatic Electronic with Overdrive	4-speed
-------------------------------------	---------

AXLE

Ratio - Standard	3.73
Ratio - Optional	4.10

BRAKES

ABS Hydra-Boost	Disc/Disc
Front Size	12.40 x 1.55
Rear Size	13.0 x 3.937

TIRES

Type	All-Season
Size	LT245/75R16

WHEELS

Type	Steel
Size	16" x 6.5"

CHASSIS

Frame	Full Length Boxed Frame
Front Suspension	Independent with Coil Spring
Rear Suspension	Two-Stage Multi-Leaf Spring
Steering Type	Speed Sensitive (EVO), Variable Ratio, Integral Power
Steering Ratio (Center/Stop)	17.2:1

VEHICLE WEIGHT

GVWR (lbs.)	9600
Curb (lbs) 12 Passenger	6122
Payload (lbs.)	3378

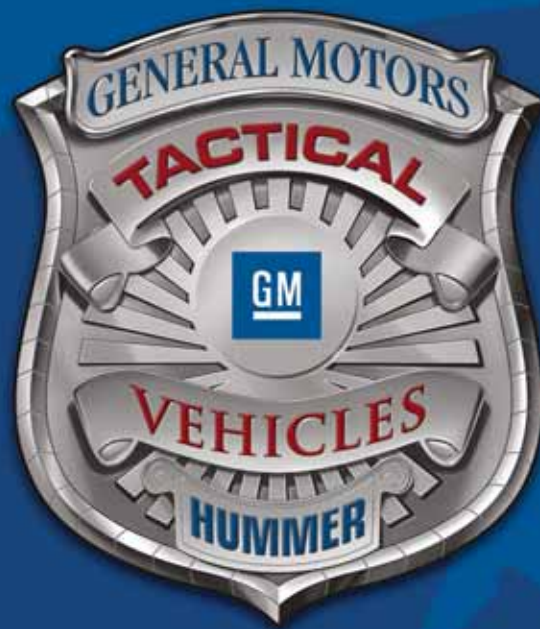
Note: Payload and curb weight will vary with option content

BATTERY

Type	Maintenance Free
BCI Group Size	78
Volts	12
Amp Hour Rating	69
Cold Cranking Amps @ 0°F (-18°C)	600
Reserve Capacity @ 80°F (27°C)	115

Features:

- Maintenance-Free Design
- Built-In Hydrometer
- Reinforced Polypropylene Case
- Built-In Flame Arrester
- Side-Mounted Terminals



HUMMER H1 KSCS Tactical Vehicle

HUMMER H1 4-DOOR WAGON KSCS TACTICAL VEHICLE - TPU

This Vehicle is Capable of Police Work up to and Including High speed Emergency Vehicle Operations.

STANDARD EQUIPMENT SUMMARY:

WARRANTY 3 years / 36,000 miles - Including Scheduled Service

INTERIOR FEATURES

AIR CONDITIONING Dual Zone with Environmentally-Friendly Refrigerant (R134a)
ASSIST HANDLES Driver, Passenger and 2nd Row Passenger
CRUISE CONTROL Electronic
GLASS EZ-Kool® Glass Tinted Windows from Back Doors Rearward
LOCKS Power Door
POWER OUTLET Auxiliary in Instrument Panel
RADIO AM/FM Stereo with Cassette and Mast Antenna
SEATS Black Cloth Bucket Seats
SIDE WINDOWS Sliding Rear Side Windows in Cargo Area
SPEEDOMETER/CLUSTER Analog Speedometer with Tachometer and Gauges
VISORS Lighted
WINDOWS Power with Remote Power Lock

EXTERIOR FEATURES

BODY PANELS Aluminum Base Body With Steel Roof and Doors
HEADLIGHTS Halogen
MIRRORS Power (Heated when DO2 Option is Ordered)

For detailed ordering and bidding information call 574-258-6652

HUMMER H1

HUMMER H1 4-DOOR WAGON KSCS TACTICAL VEHICLE - TPU

STANDARD EQUIPMENT SUMMARY (continued):

CHASSIS FEATURES

ALTERNATOR	124 amp
BATTERY	Dual 770 CCA
BRAKES	4-wheel Power Disc Brakes with Anti-lock Braking System, Hydraulic-actuated, four-wheel Inboard-mounted Meritor-Wabco ABS Power Disc with Translucent Reservoir and Level Sensor
BRUSH GUARD	Tubular Constructed Front Brush Guard also Rocker Panel Protection and Driveline Protection
DIFFERENTIAL	Torque is delivered to the gear hubs from ZEXEL Torsen® II torque-biasing differentials with inbound-mounted disc brakes. Since the brakes are inbound-mounted, the Hummer's 4-wheel power disc brakes provide exceptional stopping power without leaving the components vulnerable to damage when operating off-road.
DRIVE BELT	Serpentine
FORDING DEPTH	30 inches (76.2 cm)
FRAME	Steel Box Section with 5 Cross Members
FUEL CAPACITY	25 Gallons (95L) + 17-gallon (64L) Reserve
GEARED HUBS	Provides Additional 1.92:1 Reduction at Wheel Hub
STEERING	Power-assisted variable-ratio steering provides for a very responsive steering system. The power steering pump provides hydraulic oil pressure to operate the brake system.
SUSPENSION	The Hummer features a four-wheel, long travel double-A-arm coil spring suspension with large-diameter hydraulic shock absorbers inside the coils for added protection in harsh environments. The front suspension incorporates a large stabilizer bar for better handling and reducing sway in turns. Together with the wheel and tire assembly, the Hummer's suspension system provides a comfortable ride on even the roughest terrain.
TIRES/WHEELS	Highway Touring Goodyear® GSA 37 x 12.50R/17 with One-piece Aluminum Wheels and Central Tire Inflation System (CT15)
TOW HOOKS	Two Front and Two Rear
TOWING	Trailer Towing
TRANSFER CASE	New Venture Gear Model 242. The transfer case permits setting the drivetrain configuration to match virtually any terrain. It features two gear ranges, high and low, with two differential conditions: High: When operating in high range, the internal differential allows the front and rear tires to rotate independently for smooth cornering on hard surfaces. High lock and low lock: The locked positions lock out the internal differential, transmitting torque equally to the front and rear axles. High lock is used primarily on slippery surfaces such as snow-covered roads or muddy trails, when extra traction is needed. Low lock provides an added gear reduction for increased torque. It is used under the most severe terrain conditions, when both traction and maximum torque is required.

HUMMER H1 4-DOOR WAGON KSCS TACTICAL VEHICLE - TPU

STANDARD EQUIPMENT SUMMARY: (continued)

CHASSIS FEATURES - *continued*

TRANSMISSION	General Motors 4L80-E 4-speed automatic with maximum torque rating of 440 lb.-ft. This is widely regarded as the best and most durable four-speed transmission ever designed. The automatic transmission not only makes the Hummer easy to drive, but it also allows smooth transition of power for improved off-road mobility. Over time, it monitors your driving technique and adjusts to your driving style. Gear Ratios: 1st - 2.48:1, 2nd - 1.48:1, 3rd - 1.00:1, 4th - 0.75:1 Reverse: 2.08:1, Torque Converter Ratio: 2.2:1
TRACTION CONTROL	Full-time 4WD System with TT4
TURBO DIESEL ENGINE	V8, 6.5L Diesel Turbocharged, Electronically-Controlled
VENTILATION	Flow-through

POWERTRAIN

ENGINE				TRANSMISSION		AXLE		GEAR	
OPTION CODE	TYPE	DISPLACEMENT LITERS/CU. IN.	FUEL SYSTEM	OPTION CODE	TYPE	OPTION CODE	RATIO	HUBS	RATIO
STD.	V8	6.5 (396) Turbo Diesel	SFI	STD.	4L80-E 4-Speed Auto	STD.	2.56:1	1.92:1	Low-2.72:1 High-1:1

NOTE: Must specify FE9 Federal Emissions

SEATS AND INTERIOR TRIM COLORS

STANDARD Front Black Decontamative Cloth Bucket Seats (Driver Seat Has 8-way Manual Adjuster)
Rear Black Decontamative Cloth Bucket Seats

For detailed ordering and bidding information call 574-258-6652

HUMMER H1 4-DOOR WAGON KSCS TACTICAL VEHICLE - TPU

REGULAR PRODUCTION OPTIONS

A30	12,000# Winch
FLT2	One-piece Aluminum Wheel, with Runflat, and GS-A 37 x 12.5R-17 tires
FLT3	Two-piece Aluminum Wheel, with Runflat, and MT-R 37 x 12.5R-17 tires
B02	Heated Windshield
D02	Deluxe Rearview Mirror (Compass, Temperature, Map Light)
X37	Delete Auxiliary Fuel Tanks

EXTERIOR COLOR AVAILABILITY

Paint Code	COLOR DESCRIPTION	
B25	Black with Clear Coat	
R28	Firehouse Red with Clear Coat	
W26	Bright White with Clear Coat	

ACTUAL COLOR MAY VARY

Special paint colors are available. For more information call 574-258-6652.

HUMMER H1 KSCS TACTICAL VEHICLE - TPU SPECIFICATIONS

GENERAL

Model	4 Door Wagon
Drive	4-Wheel

EXTERIOR (in/mm)

Wheelbase	130/3302
Overall Length	184.5/4686
Overall Width	86.5/2197
Overall Height	75.0/1905
Tread Front	62.6/1590
Tread Rear	63.6/1615
Turning Diameter curb to curb (ft./m)	53/16.2

FRONT COMPARTMENT (in/mm)

Head Room	37.5/953
Shoulder Room	78.8/2002
Hip Room	50.6/1285
Leg Room (maximum)	36.0/914

REAR COMPARTMENT (in/mm)

Head Room	36.7/932
Shoulder Room	78.8/2002
Hip Room	50.6/1285
Leg Room (minimum)	36.0/914

CARGO CAPACITY (cu.ft.)

Behind 2nd Seat	57.85
-----------------	-------

EPA FUEL ECONOMY RATINGS CITY/HIGHWAY

6.5L Turbo Diesel	10/9
-------------------	------

Projected EPA label values, actual mileage will vary with options, driving conditions, driving habits and vehicles condition.

ALTERNATOR

Type	CS-144
Amps	124
Amps @ idle	79

ENGINE

Type	6.5L Turbo Diesel
Displacement: Liters (cu. in.)	6.5 (396)
Horsepower/RPM	205 @ 3400
Torque/RPM	440 @ 1800
Induction System	SFI
Compression Ratio	20.2:1
Exhaust	Single
Fuel Tank Capacity (Gallons/Liters)	42

TRANSMISSION

Automatic Electronic with Overdrive	4-speed
-------------------------------------	---------

AXLE

Ratio with limited slip	2.56:1
-------------------------	--------

BRAKES

ABS Hydro Boost	Disc
-----------------	------

TIRES

Type	Standard
Size	MT
Size	37 x 12.50R/16.5
Optional Tires See Page 55	

WHEELS

Type	Standard
Type	Two-piece Steel
Size	16.5"x7"
Optional Wheels See Page 55	

CHASSIS

Frame	Steel Box Section with 5 Cross Members
Front Suspension	Independent Double A Frame
Rear Suspension	Coil Springs and Shocks
Steering Type	Power Assisted
Steering Ration (Center/Stop)	13/16:1

VEHICLE WEIGHT

GVWR (lbs.)	10,300
Curb (lbs)	7,608
Payload (lbs.)	2,692

Note: Payload and curb weight will vary with option content

BATTERY

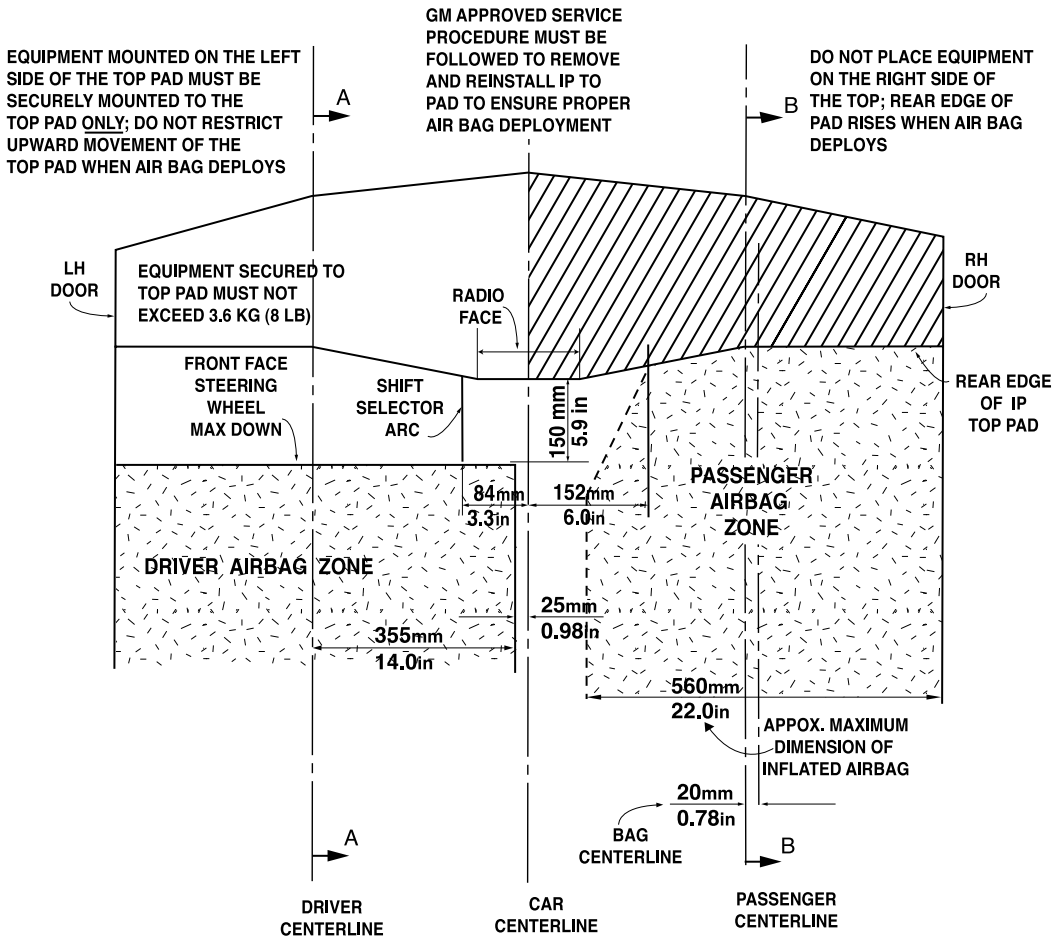
Type (Dual Batteries Std.)	Maintenance Free
BCI Group Size	78
Volts	12
Amp Hour Rating	69
Cold Cranking Amps @ 0°F (-18°C)	770
Reserve Capacity @ 80°F (27°C)	115

Features:

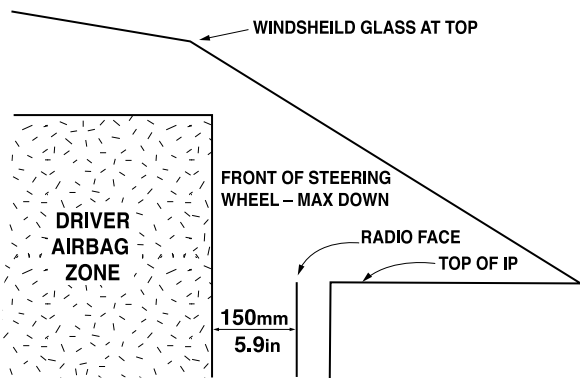
- Maintenance-Free Design
- Built-In Hydrometer
- Reinforced Polypropylene Case
- Built-In Flame Arrester
- Side-Mounted Terminals

AIR BAG INFORMATION

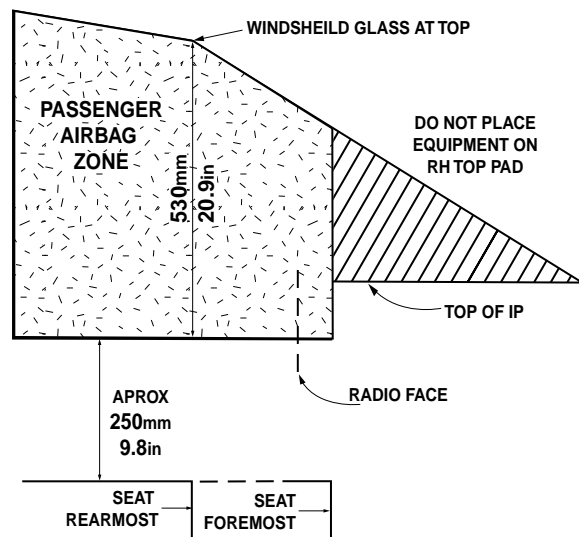
IMPALA AIR BAG DIMENSIONS



FRONT COMPARTMENT PLAN VIEW



SECTION A - A DRIVER



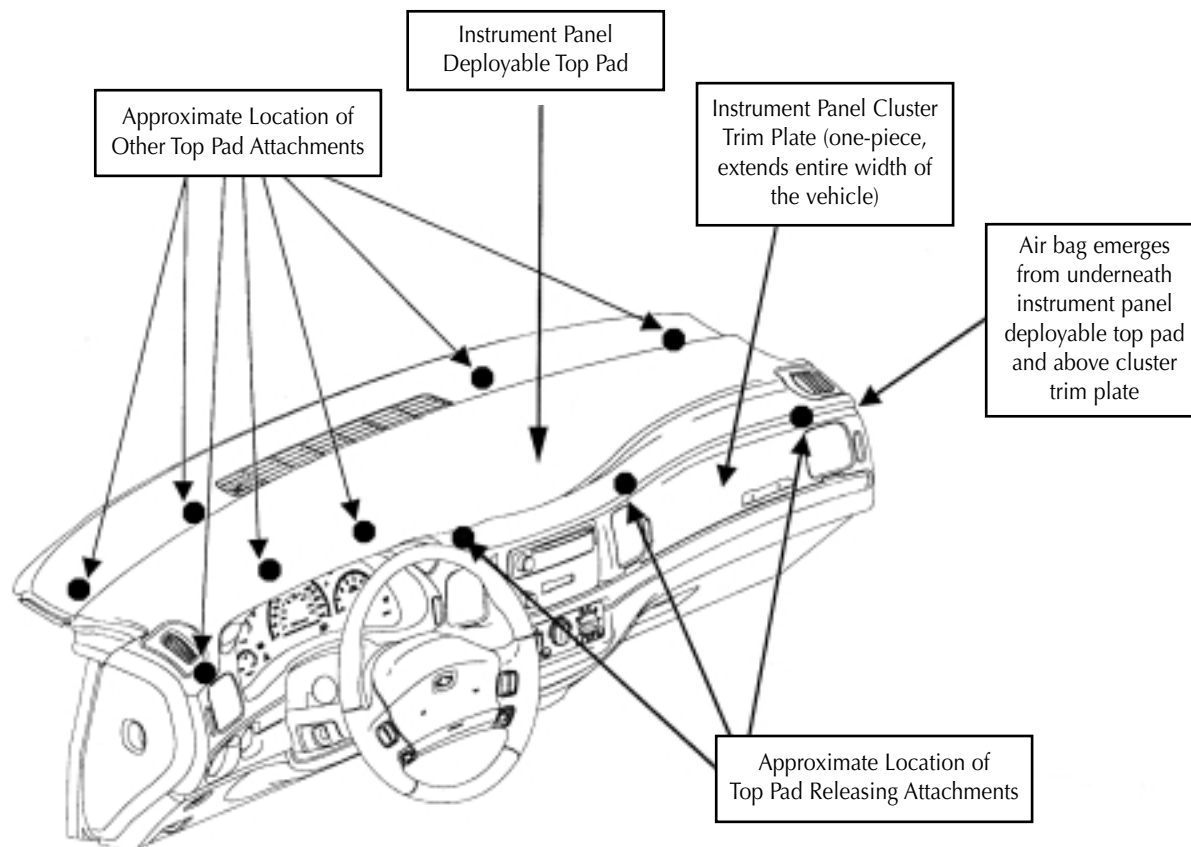
SECTION B - B PASSENGER

NOTE: All dimensions are approximate and subject to change.

IMPALA INSTRUMENT PANEL

On the right half of the top pad closest to the passenger air bag modules, General Motors recommends that no equipment be mounted. When mounting equipment on the driver side of the top pad, GM recommends that the total mass of top pad mounted special equipment not exceed 8 pounds (3.6 kilograms), since the top pad tends to rotate about the left end.

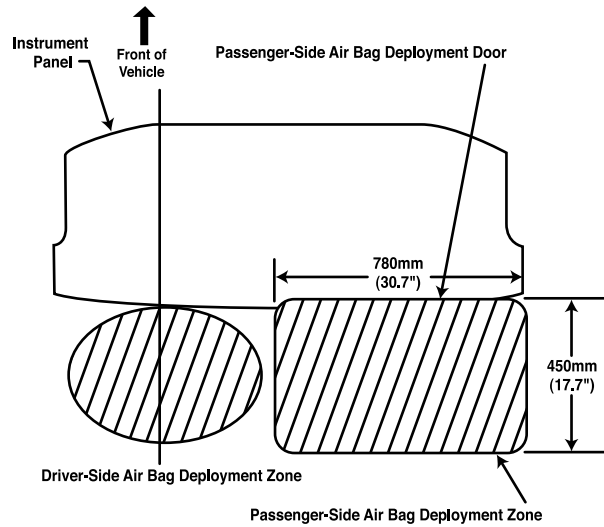
The following diagram shows the location of the attachments for the instrument panel.



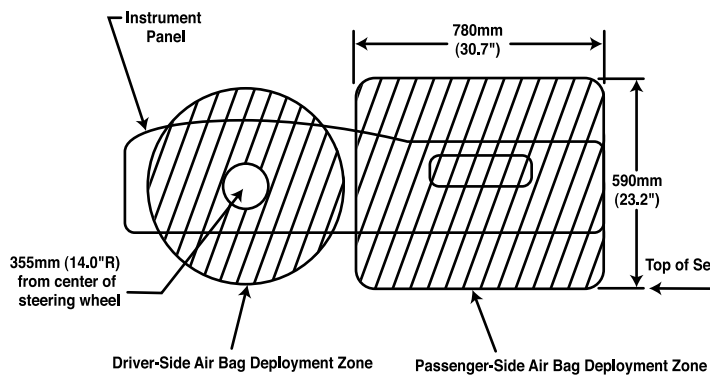
Fasteners used to secure special equipment to the instrument panel top pad, the windshield glass or to the windshield upper frame (header), should be selected to ensure that these devices will remain attached during a vehicle crash and possible air bag deployment.

TAHOE AIR BAG DIMENSIONS

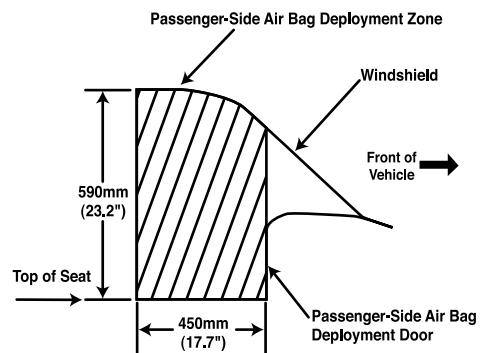
OVERHEAD VIEW



REAR VIEW



RIGHT SIDE VIEW

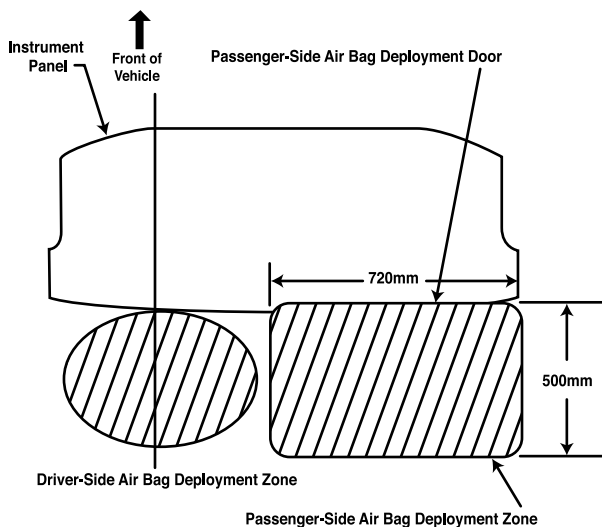


NOTE: All dimensions are approximate and subject to change.

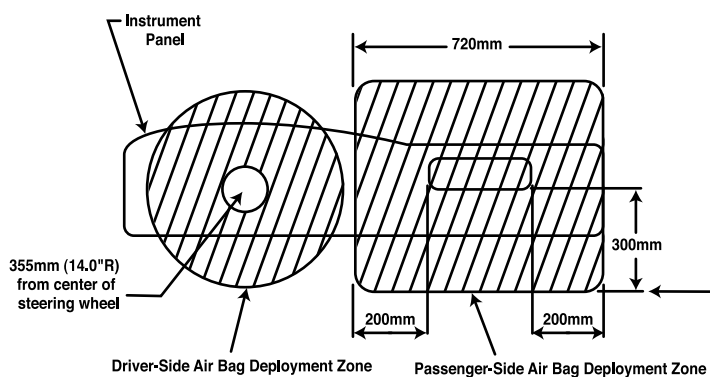
EXPRESS VAN AIR BAG DIMENSIONS

AIR BAGS

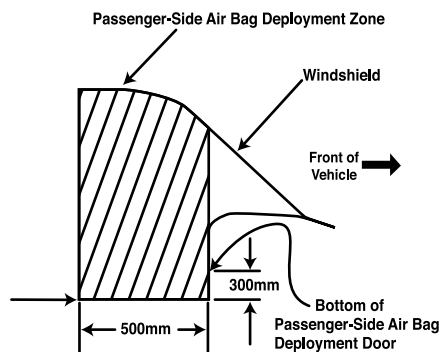
OVERHEAD VIEW



REAR VIEW



RIGHT SIDE VIEW



NOTE: All dimensions are approximate and subject to change.

AIR BAGS

QUESTIONS FREQUENTLY ASKED ABOUT AIR BAGS IN SPECIALTY VEHICLES...

Can specialty vehicle equipment (e.g. radar devices, video cameras, computers, meters, radio trees, shotguns, etc.) still be mounted in cars with passenger side air bags?

Yes, but care must be taken to mount the equipment outside of the deployment zone. Air bags inflate with great force and will interact with any object in the deployment zone. Therefore, to reduce the risk of injury to vehicle occupants, GM recommends that the air deployment zone be kept free of any equipment. If a piece of equipment were to become dislodged it could strike an occupant in the vehicle and result in injury. The likelihood of an object becoming dislodged is influenced by many factors, including the proximity of the object to the inflatable restraint, the size and shape of the object, and the means by which the object is secured to the vehicle. In addition to these factors, the trajectory and velocity of a dislodged object can be influenced by the type and severity of vehicle crash.

Objects that are in the deployment zone, but do not become dislodged by an inflating air bag can still affect the performance of the air bag. For example, such objects could tear the fabric or affect the shape of the air bag, thus reducing the ability of the bag to provide restraint.

Is it possible to shield equipment that is installed in the passenger side air bag deployment zone in a manner that will allow full and safe air bag deployment?

Due to the complexity of influencing variables, GM is unable to evaluate the potential for shielding expected equipment configurations in all accident scenarios in order to assure that the air bag performance would be unaffected. While shielding may protect certain equipment from being damaged or dislodged, it may also negatively affect the inflation characteristics of the air bag. The air bags shape, inflation angle, fold pattern, and inflation rate and pressure are developed to maximize the protection capability of the inflatable restraint system. Therefore, GM cannot recommend the placement of any equipment in the deployment zone, even if it is shielded to protect it from damage.

Front air bag systems and instrument panel mounted equipment.

Passenger air bags in GM vehicles deploy in different ways depending upon the type of vehicle and the particular instrument panel design.

In some vehicles, the passenger air bag deploys through a discrete door located on top surface of the instrument panel (top-mount air bag systems). In other vehicles, such as the Chevrolet Tahoe, the passenger air bag deploys through a discrete door mounted on the vertical rearward surface of the instrument panel, above the glove box door (mid-mount air bag system). With these types of top-mount and mid-mount passenger air bag systems, the top pad of the instrument panel remains in place during deployment.

Some GM passenger air bag systems, like the system in the Chevrolet Impala, deploy from beneath the instrument panel top pad. These are considered 3/4-mount air bag systems with a "deployable top pad." The entire instrument panel top pad is the "deployment door" from under which the inflating air bag emerges. When an air bag deployment is commanded, the forces from the inflating passenger air bag push up on the instrument panel top pad, releasing special fasteners across the rearward edge of the top pad. This allows the top pad to rotate upward so that the passenger air bag may emerge. The top pad rotates upward to open widest at the right hand side, and is usually forced upward into contact with the windshield on the right hand side of the vehicle during a deployment.

Instrument panel top mounted special equipment, such as a radar antenna and control unit or video camera must be positioned to the left of the vehicle center line. This equipment must be mounted as low as possible and securely fastened to the top pad to avoid being dislodged in the event of a crash and possible air bag deployment. In the process of securely fastening special equipment to the top, DO NOT fasten down the top pad itself to any other vehicle component such as the cluster trim plate. As described above, the top pad rotates upward during a deployment. In order to enable the proper deployment of the passenger air bag, specialty equipment installation MUST NOT PREVENT the top pad from rotating upward during deployment. Location and attachment of special equipment should minimize added resistance or interference to upward rotation of the top pad during deployment.

Recommended GM service procedures must be followed to remove and re-install the instrument panel top pad to ensure that the top pad will release properly in the event of a passenger air bag deployment.

On the right half of the top pad closest to the passenger air bag module, General Motors recommends that no equipment be mounted. When mounting equipment on the driver side of the top pad, GM recommends that the total mass of the top pad mounted special equipment not exceed 8 pounds (3.6 kilograms), since the top pad tends to rotate about the left end.

AIR BAGS

QUESTIONS FREQUENTLY ASKED ABOUT AIR BAGS IN SPECIALTY VEHICLES...continued

Fasteners used to secure special equipment to the instrument panel top pad, the windshield glass, or to the windshield upper frame (header), should be selected to ensure that these devices will remain attached during a vehicle crash and possible air bag deployment.

Can the installation of push bumpers on the front end of the vehicle affect the deployment of the air bag?

It is not likely that installing push bumpers will affect sensing for the air bag as long as the vehicle structure itself is not modified. GM is not aware of any adverse effects from the many push bumpers that have been installed on current model GM police vehicles with air bags.

How long will the air bag remain inflated?

It takes approximately 1/20th of a second to fully inflate the air bag. This is faster than the blink of an eye. The air bag begins to deflate immediately, helping to stop the occupant more gradually.

Can the air bag system be re-used?

No. The air bag is designed to inflate only once. After inflation some new parts will be required. These will include the air bag module and possibly other parts. (A competent service technician with access to vehicle's Service Manual and the required tools should replace the required components after a deployment crash.)

I've heard that the dusts that are released into the passenger compartment from the air bag are harmful. Is this true?

For most people, the only effect the dusts will produce is some minor irritation of the throat and eyes, and that is only if the occupant remains in the vehicle for many minutes after the air bag deployment with no ventilation and windows closed. However, some people with asthma may develop an asthmatic attack from inhaling the dusts. If this happens, they should first treat themselves the same way their doctor has advised them to treat any other asthma attack, and then immediately seek medical treatment.

When should an air bag inflate?

The driver's and right front passenger's frontal air bags are designed to inflate in moderate to severe frontal or near-frontal crashes. But they are designed to inflate only if the impact speed is above the system's designed "threshold level."

In addition, your vehicle has "dual stage" frontal air bags, which tailor the amount of restraint according to crash severity. For moderate frontal impacts, these air bags inflate at a level less than full deployment.

For more severe frontal impacts, full deployment occurs. If the front of your vehicle goes straight into a wall that doesn't move or deform, the threshold level of the reduced deployment is about 12 to 16 mph (19 to 15 km/h), and the threshold level for a full deployment is about 18 to 24 mph (29 to 28.5 km/h). The threshold level can vary, however, with specific vehicle design, so that it can be somewhat above or below this range.

If your vehicle strikes something that will move or deform such as a parked car, the threshold level will be higher. The driver's and right front passenger's frontal air bags are not designed to inflate in rollover, side impacts, or rear impacts, because inflation would not help the occupant.

The driver's side impact air bag is designed to inflate in moderate to severe side crashes involving the driver's door. The side impact air bag will inflate if the crash severity is above the system's designed "threshold level". The threshold level can vary with specific vehicles design. The driver's side impact air bag is not designed to inflate on frontal or near-frontal impacts, rollovers or rear impacts, because inflation would not help the occupant.

I've heard that a deployed air bag produces what appears to be smoke. Is the air bag hot?

After the bag has deployed in a crash, the air bag itself will not be hot to touch. Some components within the air bag module will be hot for a short time. A small amount of smoke coming from a deployed air bag module is normal and should not be cause for concern.

Also, when the nitrogen gas is vented out of the air bag, small particles from inside the bag are also vented into passenger compartment. These airborne particles look like smoke and some particles are deposited as residue on and around the air bag.

If my vehicle has air bags, why should I have to wear my safety belt?

Air bags are in many vehicles today and will be in most of them in the future. But they are supplemental systems only; so they work with safety belts - not instead of them. Every air bag system ever offered for sale has required the use of safety belts. Even if you're in a vehicle that has air bags, you still have to buckle up to get the most protection. That's true not only in frontal collisions but especially in side and other collisions.

ANTI-LOCK BRAKING SYSTEMS

ANTI-LOCK BRAKING SYSTEMS

QUESTIONS FREQUENTLY ASKED ABOUT ANTI-LOCK BRAKES...

GM offers Anti-lock Brake Systems as standard or optional on all North American passenger vehicles and light truck lines. The computerized Anti-Lock Braking System (ABS) is designed to keep the vehicle's wheels rotating as the brakes are applied to assist the driver in achieving a controlled stop. Sensors monitor how fast the wheels rotate and feed the data continuously to the ABS computer. The vehicle's brakes slow each wheel as the brake pedal is applied. However, when ABS is activated due to road conditions, the system repeatedly releases and applies pressure to the brakes. The wheels can keep rolling, thus retaining steering ability and enhanced stability while providing a higher braking force on most surfaces than a locked wheel provides.

How exactly does ABS work?

In cars without ABS, hitting the brakes can cause the wheels to lock, leaving you unable to steer the vehicle until you decrease the pressure so the wheels can roll again. With an ABS, as you apply the brakes, the ABS computer monitors the wheel speed sensor information. If the computer senses that a wheel is approaching lock up, it sends a signal to the hydraulic modulator to reduce, then to reapply, brake pressure several times a second for as long as you maintain firm pressure on the brake pedal. The process is much like the threshold braking technique used with conventional brakes. However, ABS does it much faster and more accurately than any driver can, leaving you free to focus on steering away from obstacles.

Does ABS reduce stopping distances?

Yes, in braking situations where the wheels on a non-ABS equipped vehicle would lock up, ABS will generally provide shorter controlled stopping distance. The amount of improvement in stopping distance depends on many factors, including the road surface, severity of braking, initial vehicle speed, etc. On some surfaces, such as gravel roads, braking distances can be longer, but you will still have the control benefits of ABS. The important capability of ABS is control. ABS provides improved vehicle steerability and stability when braking.

What can affect the ABS advantage?

It is important that you follow the maintenance schedule recommended in the owner's manual of the vehicle, tires should be at their proper inflation level, the brake pads should be checked regularly, etc. While driving, you should sit comfortably, so that your hips are back in the seat and your knees are bent, even while braking. Your foot should be positioned so that your heel is on the floor and your toes are secure on the lower half of the pedal. And, though ABS may reduce stopping distance, remember: The faster you go, the longer it takes you to stop. Keeping a safe distance between you and the vehicle in front of you is always necessary, even with ABS.

What happens if ABS becomes inactive?

The ABS electronic control unit has on-board diagnostic capability. If a fault is detected, the vehicle will revert to the base brake system, and the ABS telltale on the dash will be illuminated. Should this happen, the vehicle should be taken to a dealership for repair as soon as possible.

How do I use ABS?

Depress and hold the pedal. DO NOT PUMP THE BRAKES (that prevents the system from working). Just hold the brake pedal down and let the ABS work for you. You may feel the brake pedal vibrate, or you may notice some noise, but this is normal as the system works for you.

Should I drive an ABS equipped vehicle differently than I would drive a vehicle with conventional brakes?

Most of the time, under normal driving circumstances, there is no difference, and you should always drive with the same caution and care. It is important to realize that ABS only makes a difference when it is activated—when you have to brake hard—and that would only be when the computer senses that a wheel is approaching lock up. When ABS activates keep steady pressure on the brake pedal and then let the ABS work for you. Don't pump the brakes or try to find the threshold. Simply hold the brake pedal down and steer if necessary to avoid an obstacle.

Is ABS always active?

ABS is always available, but not always activated. ABS is activated only when the brake pedal is applied and the computer detects an impending wheel lock condition.

ANTI-LOCK BRAKING SYSTEMS

QUESTIONS FREQUENTLY ASKED ABOUT ANTI-LOCK BRAKES...continued

Can older cars be retrofitted with ABS?

No! The brake system is one of the most important features on any passenger vehicle.

Several products, which tap into the master cylinder and/or brake system performance, are being sold in the aftermarket. Some of these products imply performance similar to new vehicle anti-lock brake systems.

However, contrary to their claims, add-on systems, which deplete fluid from the master cylinder on brake apply may actually increase a vehicle's stopping distance. This may cause the vehicle to fail to comply with federal brake standards.

Does ABS always activate at the same speed?

No, the system operates when the computer detects wheel lockup, at any speed above 8 mph.

Will ABS wear out a vehicle's brakes sooner?

A properly maintained brake system will be unaffected by ABS operation under typical driving conditions.

Are there different types of ABS?

Yes, there are rear wheel anti-lock systems (RWAL) used on some trucks and four-wheel ABS available on cars and trucks.

Do Federal Safety Standards mandate ABS?

No. Federal standards establish minimum braking performance requirements that all vehicles must meet, but do not specify how they should be met. It should be noted that even a vehicle with failed ABS meets the Federal safety standard for stopping distances.

Will a tire size change affect ABS?

Use of tires other than original equipment may affect ABS performance. Owners should consult and follow the recommendations contained in the vehicle owner's manual regarding replacement tire size.

Note: ABS will work with original equipment spare tire or tire chains. However, performance is reduced.

Do insurance companies give a discount for ABS?

Yes, many insurance companies give discounts that range from 5% to 10%. In the states of New York and Florida all insurance companies are required to give an ABS discount of 5% on certain coverages such as bodily injury, property damage, collision, and personal injury protection. In other states the discount varies from insurance company to insurance company. When buying auto insurance, always ask your insurance agent if his/her company gives a discount for vehicles equipped with anti-lock brakes.



IMPORTANT DRIVING SAFETY TIPS



A. Always maintain a safe following distance.

ABS does not allow you to stop on a dime. (Safe following distance Generally a 2-second following distance is considered safe in ideal conditions. Watch the vehicle in front of you pass a fixed marker (such as a sign). Count seconds—one-thousand-one, one-thousand-two-until your front bumper reaches the marker. If you do not count out two seconds, then you are too close to the vehicle in front of you. Also, if the roads are wet or icy, or visibility is poor, you should increase your following distance.

B. Always drive carefully—especially on slippery surfaces. ABS cannot create friction between the tires and the road surface, it can only give the driver the maximum advantage of the existing adhesion. If the vehicle is traveling on a surface with no adhesion, the best ABS in the world cannot provide a shorter stopping distance or good steering.

C. It is a good idea to **practice an ABS activated stop** and get the feel of the brake pedal. However, please make sure it's at a safe time with no obstacles in your path. And you only really need to try it once or twice to know what happens.

ACCELERATE
YOUR BUSINESS

 **Fleet and Commercial**

For brochures on CD 1-800-FLEET-OP (353-3867)
www.gmfleet.com