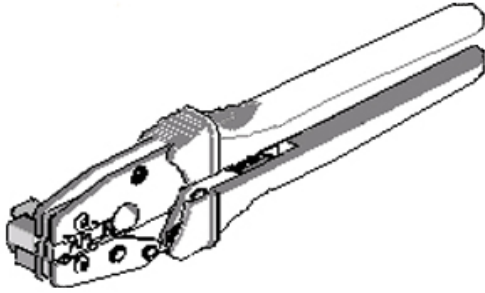


CRIMP TOOLS FOR WHELEN CONNECTORS - STROBE

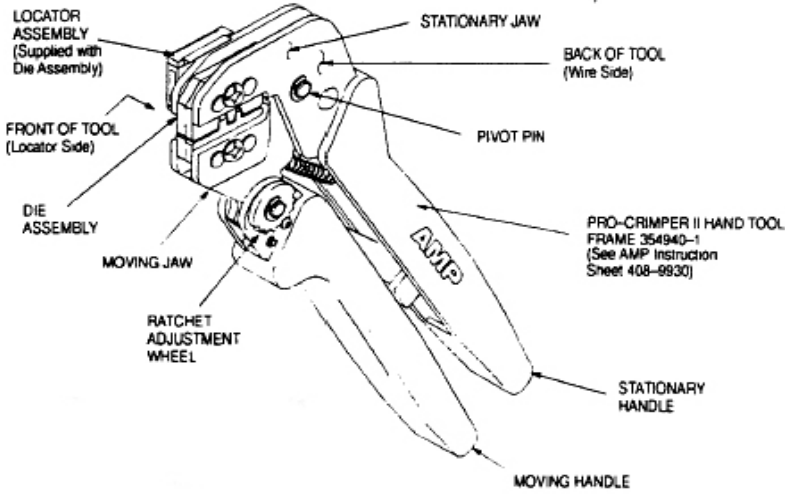
LIST: 250.00

MOLEX PART# 63811-3200 - Hand Crimp Tool



PRO-CRIMPER II AMP CRIMPER - PART# 90575-1

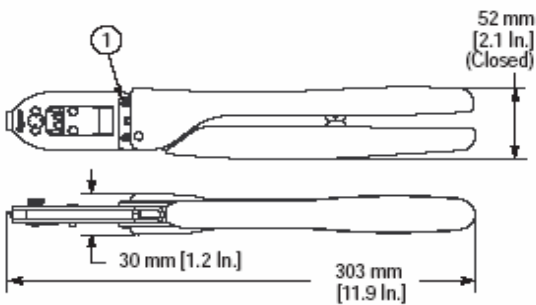
LIST: 192.00



ONLY BUY IF YOU NEED A CERTIFIED CRIMPER

LIST: 420.00

91504-1 - CERTI CRIPMER - AMP



Weight: Approx. 622.6 g [1 lb. 6 oz.]

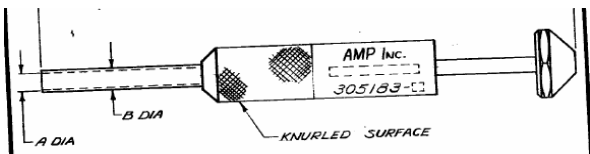
PIN EXTRACTION TOOLS

AMP PIN EXTRACTOR - 1-305183-1

LIST: 80.00

AMP Pin – Male Pin

39-0501316-04 (AMP# 61118-1) - Loose Piece = 60620-1



AMP SOCKET EXTRACTOR - 1-305183-2

LIST: 45.00

AMP Socket – Female Socket

39-0501326-04 (AMP# 61117-1) - Loose Piece = 60619-1



UNIVERSAL - Will work on Both - AMP 465644-1

LIST: 20.00

