

FIGURE 1

### 1. INTRODUCTION

AMP Extraction Tools 1-305183-1 and 1-305183-2 are designed to remove contacts from AMP MATE-N-LOK connectors. Tool 1-305183-1 is used for the pin contacts, and tool 1-305183-2 for the socket contacts. Read these instructions thoroughly before starting.

**NOTE**

All dimensions presented on this instruction sheet are in inches, unless otherwise stated.

### 2. DESCRIPTION

Both tools feature a handle and sleeve assembly to release the contact locking lance, and a push rod button to eject the contact.

### 3. EXTRACTION PROCEDURE

Select the appropriate extraction tool, according to the type of contact (pin or socket) to be removed (see Figure 1).

#### A. PIN EXTRACTION (FIGURE 2)

1. Push in and hold firmly on wire of contact to be removed. This will disengage locking lance from groove in connector.
2. Grasp the tool handle, and place sleeve over end of contact. Rotating tool slightly, push sleeve straight into cavity until it bottoms. Allow push rod button to "back out" of handle. The locking lance is now released.
3. Keep sleeve firmly bottomed in cavity, and depress push rod button. Contact will partially eject as push rod button is depressed.
4. Pull contact from REAR of connector, and remove tool from cavity.

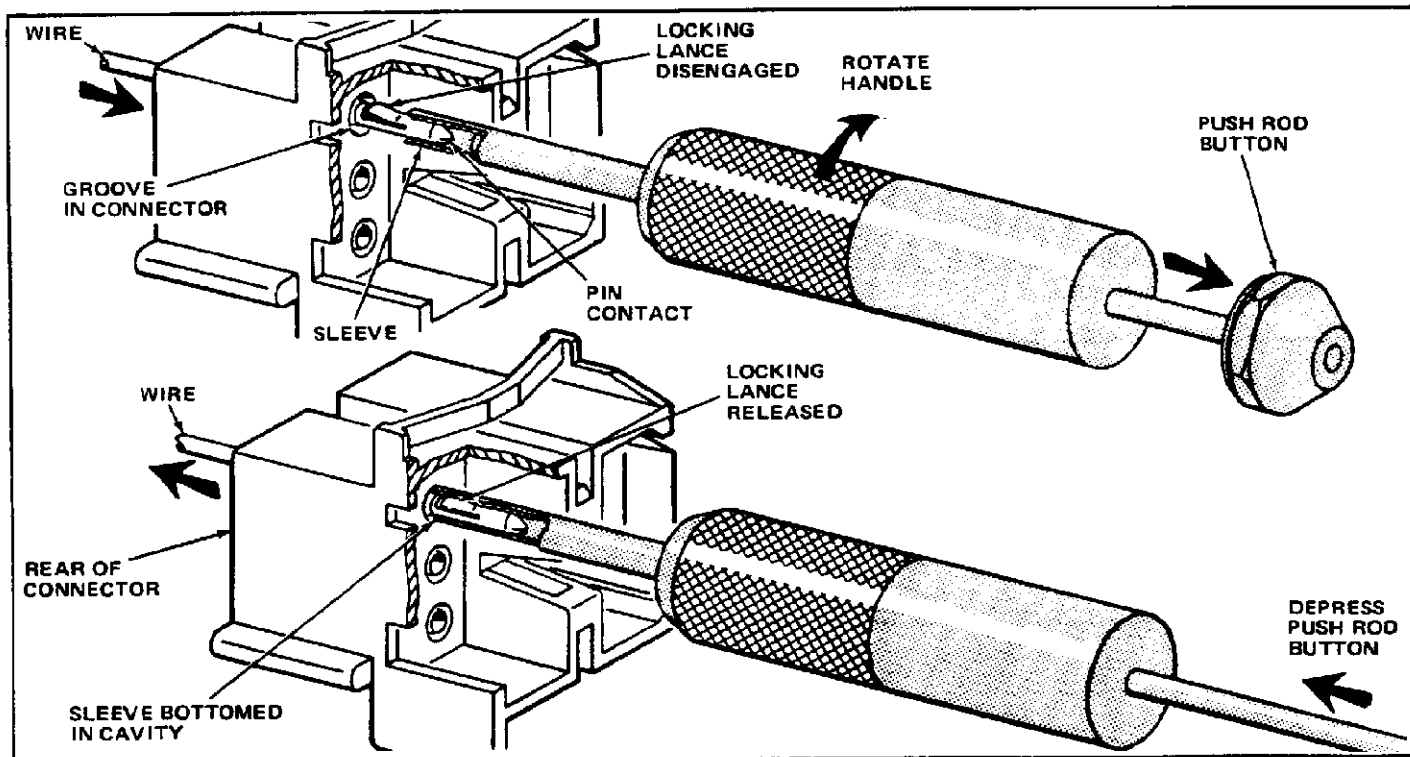


FIGURE 2

Copyright 1964, 1966, 1974 by AMP Incorporated, Harrisburg, Pa.  
 All International Rights Reserved. AMP Incorporated products covered  
 by U.S. and foreign patents and/or patents pending.

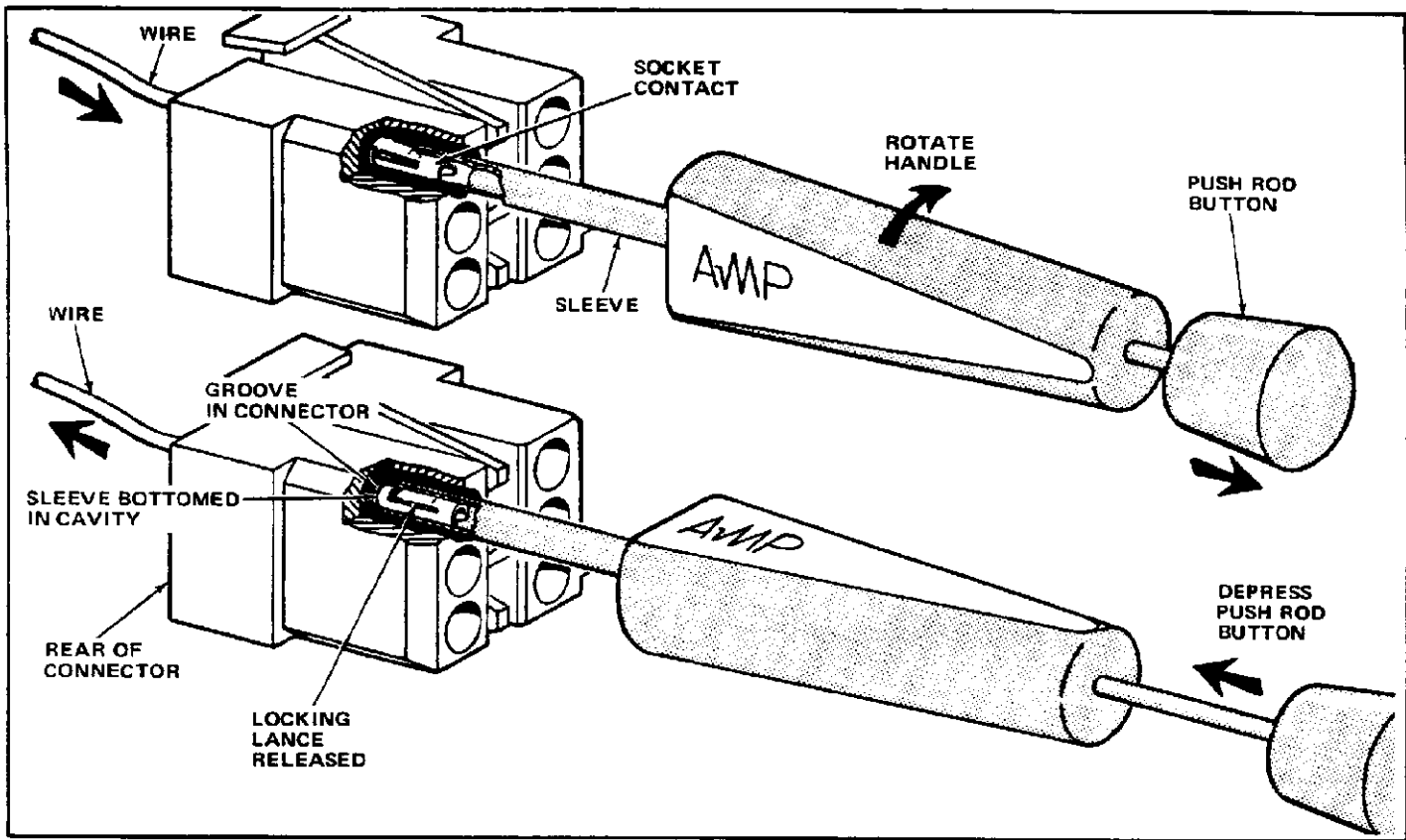


FIGURE 3

**B. SOCKET EXTRACTION (FIGURE 3)**

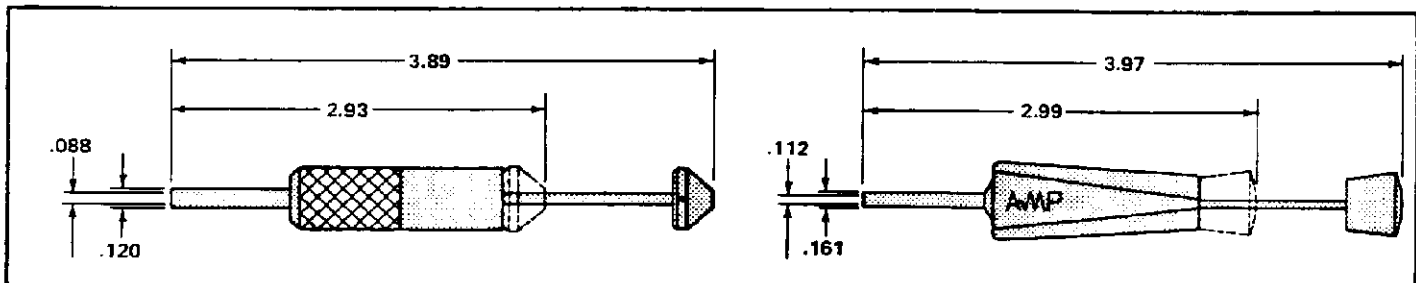
1. Push in, and hold firmly, on wire of contact to be removed. This will disengage locking lance from groove in connector.
2. Grasp the tool handle, and place sleeve over end of contact. Rotating tool slightly, push sleeve straight into cavity until it bottoms. Allow push rod button to "back out" of handle. The locking lance is now released.
3. Keep sleeve firmly bottomed in cavity, and depress push rod button. Contact will partially eject as push rod button is depressed.
4. Pull contact from REAR of connector, and remove tool from cavity.

**4. TOOL CERTIFICATION**

The extraction tools listed on this instruction sheet should be certified with the information provided in Figure 4. It is recommended that each tool be inspected immediately upon arrival in your factory, and at regularly scheduled intervals, to assure that the tool has not been damaged during handling.

Additional tools can be purchased from:

AMP Incorporated  
 Eisenhower Boulevard  
 Harrisburg, Pennsylvania 17105



EXTRACTION TOOL	PRODUCT DESIGNED FOR	ENGINEER APPROVAL	DATE
1-305183-1	AMP MATE-N-LOK Pin Contacts	<i>Wm MacKinnon</i>	9-24-74
1-305183-2	AMP MATE-N-LOK Socket Contacts		

FIGURE 4