

ROUTE 145, WINTHROP ROAD
CHESTER, CONNECTICUT 06412-0684
TELEPHONE: (860) 526-9504
FAX: (860) 526-4078

WARNING!!!

The strobe light power supply is a **HIGH VOLTAGE** device. You must wait at least 10 minutes after turning off the power to the system before starting any diagnostic or trouble shooting procedures that may bring you into contact with any internal components.

Removal of Existing Power Supply...

1. Remove endcap and lenses until you have access to your lightbar's power supply. Power supply is located in the center section of your lightbar.
2. Remove the two (2), 10 x 24 3/4" screws that hold the power supply in position (See Diagram 1.1).
3. Disconnect Power Harness and Internal Harness from power supply.
4. Remove power supply from lightbar.
5. If your lightbar has two (2) power supplies, repeat steps 1 through 4 for the second power supply.
6. If you are replacing the power supplies in an older lightbar (eight or more years old) you will have to remove any Guide Pins that are present. These pins prevent the newer style power supplies from being installed. These can be broken off of the lightbar's extrusion by hitting them with a hammer.

Installation of new Power Supply...

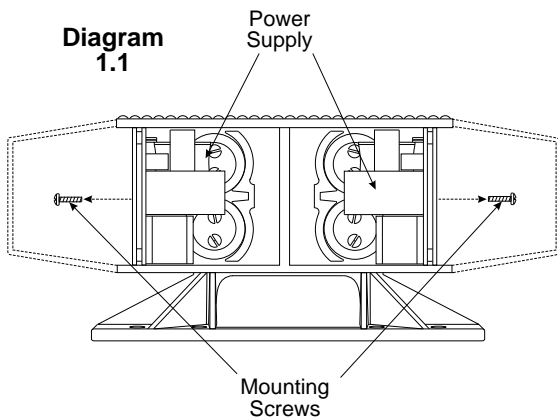
1. If your previous power supply was equipped with a drip cover attached, this must be removed and transferred onto the new power supply. The drip cover is held in place by one screw and is mounted onto the new power supply in the same fashion as it was on the previous power supply.
2. Position your new power supply in its general mounting location.
3. Connect the Power Harness and Internal Harness to the power supply. Refer to Table 1 for Correct Adaptor Cable(s).
4. With harness plugs connected, the power supply is ready to be mounted onto your lightbar.

TABLE 1

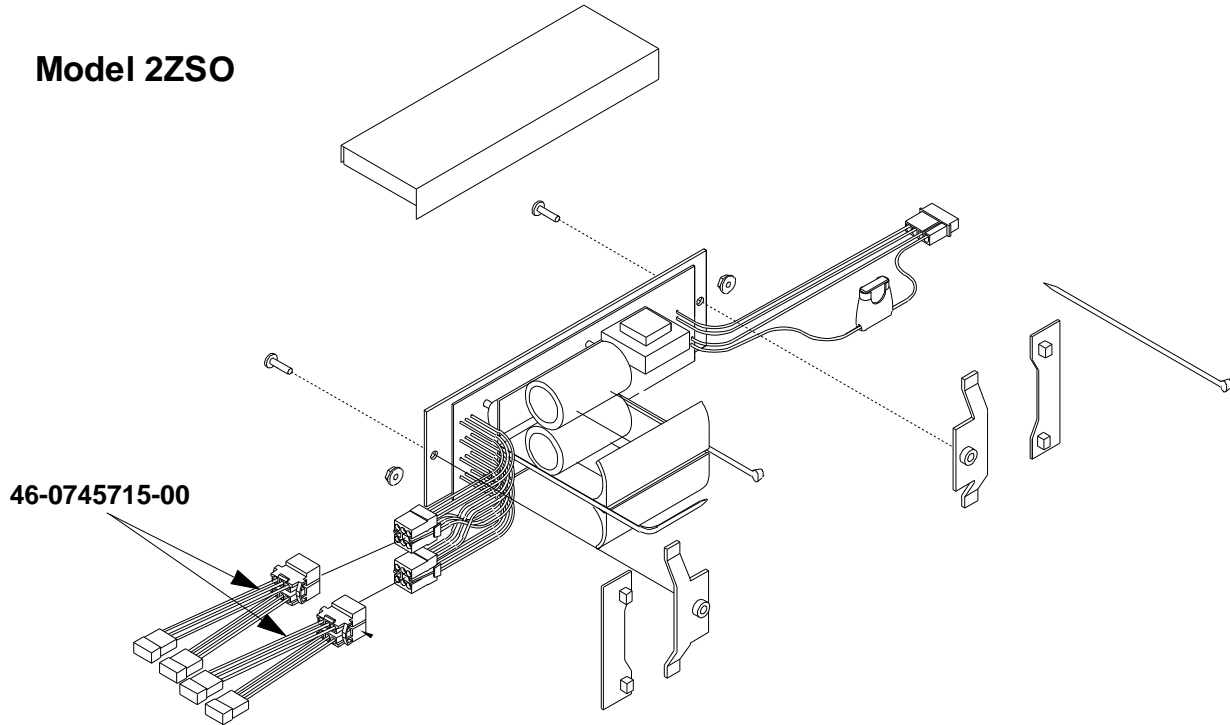
IF YOU HAVE LIGHTBAR MODEL #...	WITH POWER SUPPLY #...	YOU NEED POWER SUPPLY #...	WITH ADAPTOR CABLE(S) #...
9004SL, 9004WB, 9801, 9802, 9806 MINIEDGE....	ZF, 1ZF	2ZFO	46-0741909-00 46-0741908-00
9004SL, 9004WB, 9801, 9802, 9804, 9806, 9004AK MINIEDGE....	ZS, 1ZS, 5ZS, ZSM	2ZSO	46-0745715-00 *LOW POWER SWITCHING MODIFICATION
9104, 9206, 9206WB, 9308, 9308WB, 9000FM....	ZF, 1ZF	2ZFO	46-0745715-00 46-0745815-00
9104, 9206, 9206WB, 9308, 9308WB, 9000FM....	5ZF, ZFM	2ZFO	46-0745715-00 46-0745815-00
9004SL/AK, 9004WB, 9801, 9802, 9804, 9806, MINIEDGE...	ZSO	2ZSO	NONE *LOW POWER SWITCHING MODIFICATION
9104, 9206, 9308, 9000FM, 9206WB...	ZFO	2ZFO	NONE

* **LOW POWER MODIFICATION - OLD POWER SUPPLY WAS GROUND ACTIVATION TO VIOLET FOR HI-POWER. NEW SUPPLY IS +12 VOLT MOMENTARY ACTIVATION TO VIOLET FOR LOW POWER**

Diagram 1.1



Model 2ZSO



Model 2ZFO

