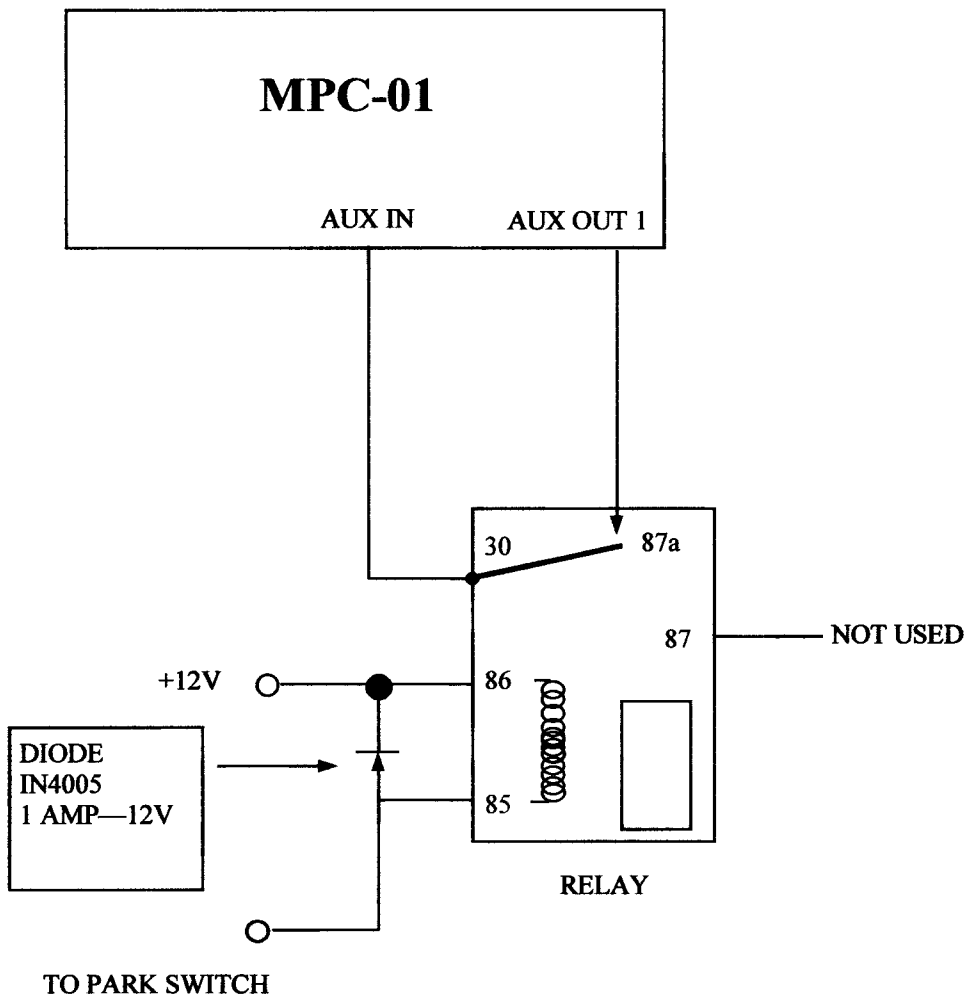


OPTICOM KILL UTILIZING AUX IN & OUT—FOR B-LINK MPC-01



MPC AUX OUT 1 ORANGE WIRE
 AUX IN 1 BROWN WIRE

PROGRAM: AUX OUT 1 INTO SLIDE SWITCH #3

PROGRAM: AUX OUT 1 INTO SLIDE SWITCH POSITIONS—DO NOT PROGRAM REDUCED
LOAD (SECONDARY) LAMPS INTO SLIDE SWITCH

PROGRAM: REDUCED LOAD LAMPS INTO AUX IN 1. NORMALLY SWITCH IS PARKING
BRAKE, HOWEVER YOU COULD GROUND RELAY COIL AND USE A +12V
ACTIVATION.