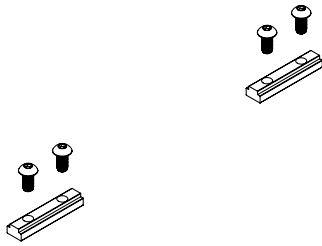
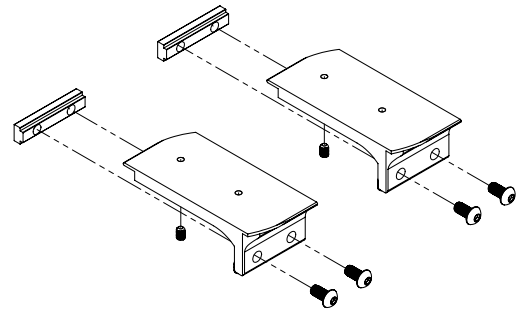


# Trac Light Brackets



**SKU# 22783**  
Allows you to mount a light bar through the base by drilling screw clearance holes



**SKU# 21100**  
Mounts to the triple T-slot crossbar, and locks into the base of your light via set screws

1. Pre-drilled holes allow easy mounting of light bars.
2. Easy to install into the bottom, top, or side T-Slots of your crossbar using just nut bars and button head cap screws
3. Holes are pre drilled for wire routing

