



Cab Rac Pro

SKU#: 21200-01 Hgt. 22" • SKU#: 21200-02 Hgt. 23"
 SKU#: 21200-03 Hgt. 24" • SKU#: 21200-05 Hgt. 26"



APPLICATION:

21200-01: Max Cab Hgt.-22"

Fits 07-08 Tundra, '04-08 F150, '07-08 Chevy/GM

21200-02: Max Cab Hgt.-23"

Fits '04-06 Chevy/GM

21200-03: Max Cab Hgt.-24"

Fits '04-08 Dodge Ram

21200-05: Max Cab Hgt.-26"

Fits '03-08 Ford Super Duty

Standard System Includes:

- Cab Rac
- Mounting Hardware

PRODUCT FEATURES:

Built to take a beating

- Dual Stage Electrostatic Powder Coat Finish
- Manually TIG Welded by AWS Certified Welders

Breakthrough design

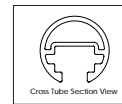
- Low-profile (fits into garages)
- Unique 3 Cross Member Window Guard

- Meets SAE Class 1 requirement with Whelen Light Kit

Premium performance

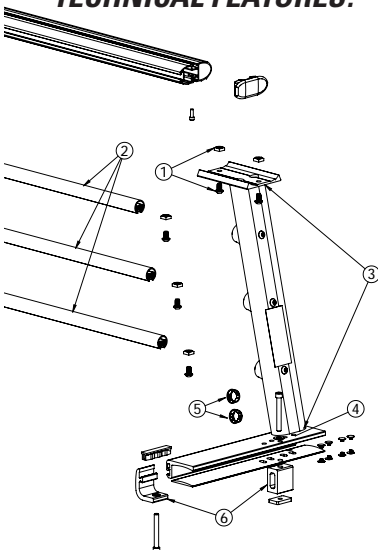
- Aerodynamic, no wind noise & Reduced wind resistance
- Pre-drilled for Easy Wiring
- Product Weight: 30 lbs.

Whelen Light Pods - LIN3™ Super LED Light heads and 15' cable

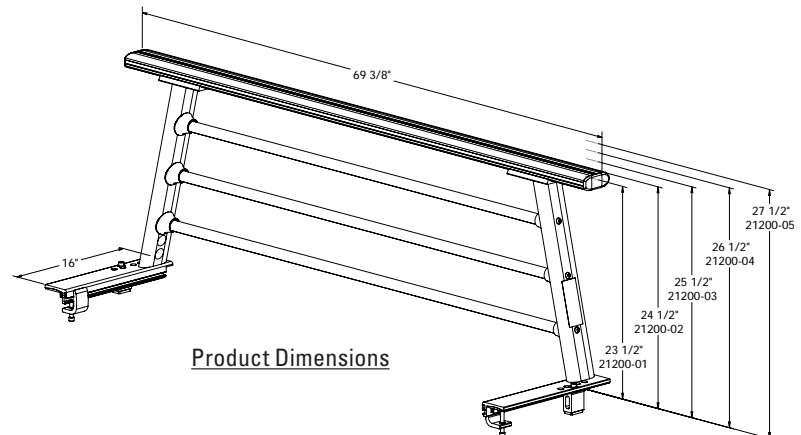


Cross Tube Section View
 The three cross tubes have an integrated "T-Slot" that allows you to mount various accessories.

TECHNICAL FEATURES:



1. A combination of button head cap screws, and square nuts allows for an easy installation and a clean look.
2. The three cross tube design provided window protect while not impairing your view.
3. Manually TIG welded for superior strength
4. Multiple mounting holes for various truck applications
5. Wire routing hole plugs allow you to cover up any unused holes and are easily removable.
6. Mounting clamps, and expansion blocks secure the rack to the side walls of your truck



Product Dimensions