



Engineered to Deliver

Light Rac

SKU#: 10550-01 Hgt. 22" • SKU#: 10550-02 Hgt. 23"
 SKU#: 10550-03 Hgt. 24" • SKU#: 10550-05 Hgt. 26"



APPLICATION:

10551-01: Max Cab Hgt.-22"

Fits 07-08 Tundra, '04-08 F150, '07-08 Chevy/GM

10551-02: Max Cab Hgt.-23"

Fits '04-06 Chevy/GM

10551-03: Max Cab Hgt.-24"

Fits '04-08 Dodge Ram

10551-05: Max Cab Hgt.-26"

Fits '03-08 Ford Super Duty

Standard System Includes:

- 1 Light Rac
- Mounting Hardware

* Shown with TracBox and WhelenLights

PRODUCT FEATURES:

Built to take a beating

- Dual Stage Electrostatic Powder Coat Finish
- Manually TIG Welded by AWS Certified Welders

Breakthrough design

- Low-profile (fits into garages)
- Meets SAE Class 1 requirement with Whelen Light Kit

Premium performance

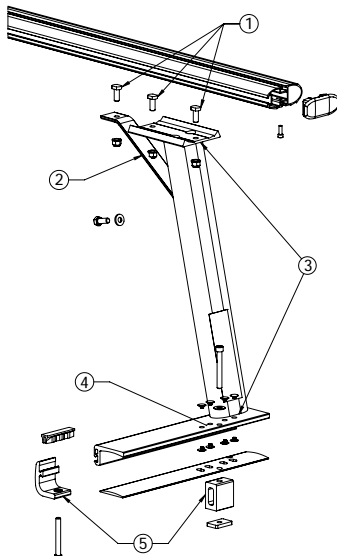
- Aerodynamic, no wind noise & Reduced wind resistance
- Pre-drilled for Easy Wiring
- Product Weight: 30 lbs.



Whelen Light Pods - LIN3™ Super LED Light heads and 15' cable



TECHNICAL FEATURES:



1. Three T-Bolts per upright ensures the crossbar will remain secured for extreme loading conditions.

2. Corner brace adds additional strength and helps reduce concentrated fatigue

3. Manually TIG welded for superior strength

4. Multiple mounting holes for various truck applications

5. Mounting clamps, and expansion blocks secure the rack to the side walls of your truck

