



# TracGuard Pro



## APPLICATION:

Safety Insert for Light Rac Pro

Available for Compact & Full Size Truck

## Standard System Includes:

- 1 TracGuard
- Mounting Hardware

## PRODUCT FEATURES:

### Built to take a beating

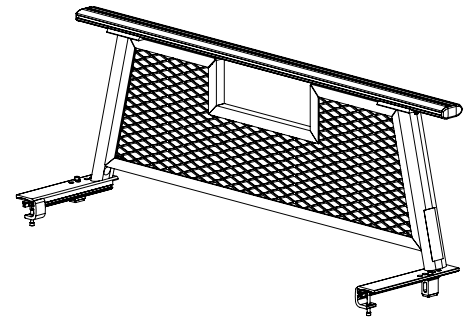
- Black Electrostatic Powder Coat Finish
- Manually TIG Welded by AWS Certified Welders

### Breakthrough design

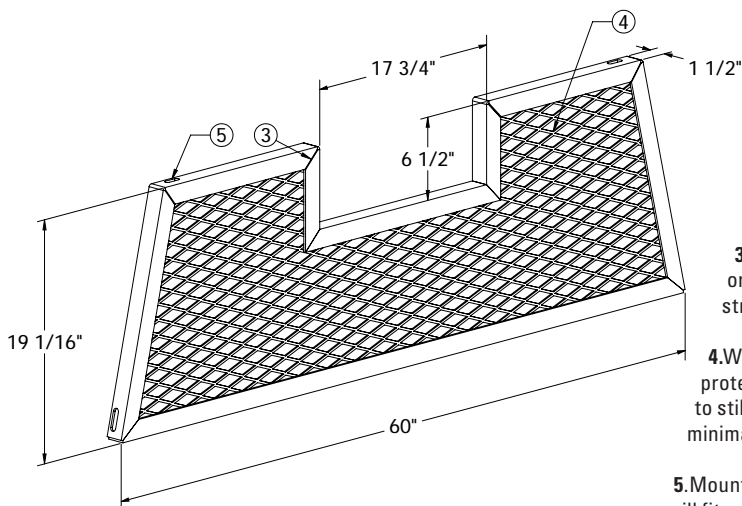
- Bolts into Light Rac or other TracRac products
- Easy to Install - Attaches with only 4 bolts

### Premium performance

- Easily Replaceable
- 70% High-Visibility Mesh Screen
- No wind noise/no screen rattle design
- Screen: Aluminum Expanded Metal (.095" O' ALL THK, 1-1/2" - #.125 Trade Size



## TECHNICAL FEATURES:



1. TracGuard is fully secured with only 2 pieces of hardware per side

2. The top of the TracGuard is secured with existing LightRac hardware

3. The frame is manually TIG welded on all joints, and corners to increase strength and security.

4. With 70% visibility the screen not only protects your window but allows you to still see through your rear view with minimal obstruction.

5. Mounting slots ensures the TracGuard will fit multiple full size, and compact trucks.

