



# Utility Rack Pro

SKU#: 28100 Standard 17" • 28101 Tall 22" • 28102 Extra Tall 28"



## APPLICATION:

- 28100 Standard 17"
- 28101 Tall 22"
- 28102 Extra Tall 28"

Utility Rack fit is determined by the relative height difference between the top of the truck body & the top of the truck cab.

## Standard System Includes:

- 4 – 2' Base Tracks
- 2 Overhead Racks
- 4 Crossbar Tiedowns
- Mounting Hardware

## PRODUCT FEATURES:

### Utility Rack's Rugged

- Rust free – 100% aluminum construction.
- 750 lb. capacity.

### Utility Rack's Versatile

- Remove overhead racks in seconds.
- 4' base tracks available – for maximum flexibility.

### Utility Rack's Sleek

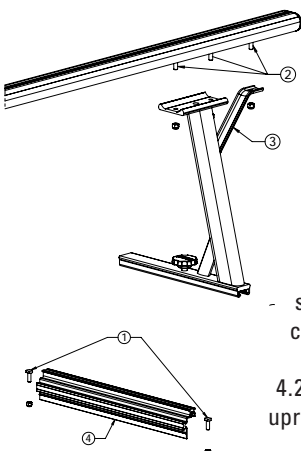
- Aerodynamic crossbar – no wind noise.
- Easy to handle; system weighs just 40 lbs.



Load it up with your gear, the utility rack and handle it all.

## TECHNICAL FEATURES:

Base plates mount to the truck body, allowing the addition of accessories



1. The upright bases are easily mounted via T-Bolts, washers, and lock nuts.

2. Three T-Bolts per upright ensures the crossbar will remain secured for extreme loading conditions.

3. Corner brace adds additional strength and helps reduce concentrated fatigue

4. 24" base allows easy removal of uprights.

