

**NEW PRODUCT**

# Fluorent™ Series

**SUPER-LED® ILLUMINATION AND COMPARTMENT TUBE LIGHTING**

**LIGHTHEADS**



**Fluorent and Fluorent Plus™ are the brightest LED tube light assemblies in the business.**

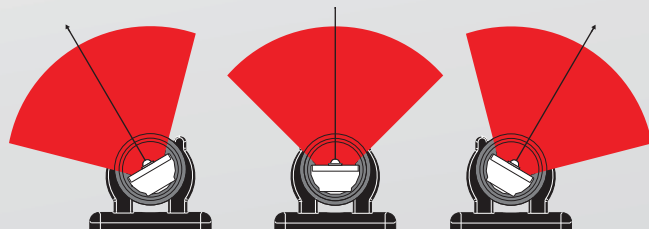
Designed for compartment lighting in increments of 9" for a custom fit with off-the-shelf convenience.

## FEATURES

- Fluorent Series utilizes one diode per inch, and Fluorent Plus Series utilizes two diodes per inch for greater illumination.
- Clear light tubes.
- Rugged 120° Super-LED light assemblies provide light without taking up valuable compartment space.
- Light tube can be rotated to direct light where it is needed when using the "C" clip mounting.
- Standard sizes available in 9" increments up to 63".
- Custom lengths available.
- Includes both "C" clips for snap-in mounting and "P" clips for fixed mounting.
- LEDs provide years of trouble-free reliability, are moisture and vibration resistant for all those tough interior or exterior applications.
- Silicone rubber end caps for a superior sealed fit around light tubes and wires.
- 5 year HDP® Heavy-Duty Professional warranty.
- Dimensions: 5/8" (16mm) H x 9" (23cm), 18" (46cm), 27" (69cm), 36" (91cm), 45" (114cm), 54" (137cm), or 63" (160cm) L.



Silicone rubber end cap securely seals light tube.



Light tube may be rotated in "C" clips to direct lighting where needed.

Available in White

**WHELEN®**

# Fluorent™ Series Specifications

## Fluorent

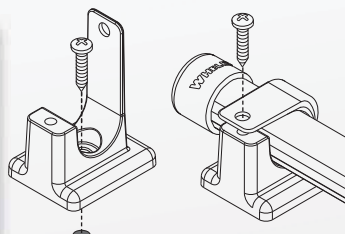
Model	Length	Amp Draw	Lumens	Candela
F09C	9"	60 ma	45	12
F18C	18"	125 ma	60	16
F27C	27"	160 ma	90	24
F36C	36"	180 ma	135	36
F45C	45"	240 ma	180	48
F54C	54"	320 ma	225	60
F63C	63"	420 ma	315	84

## Fluorent Plus™

Model	Length	Amp Draw	Lumens	Candela
F09PC	9"	120 ma	90	24
F18PC	18"	180 ma	120	32
F27PC	27"	392 ma	270	72
F36PC	36"	512 ma	360	96
F45PC	45"	600 ma	450	120
F54PC	54"	720 ma	540	144
F63PC	63"	920 ma	690	184



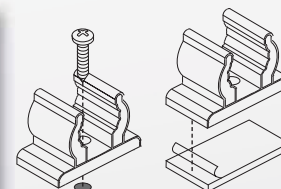
"P" clip for fixed mounting



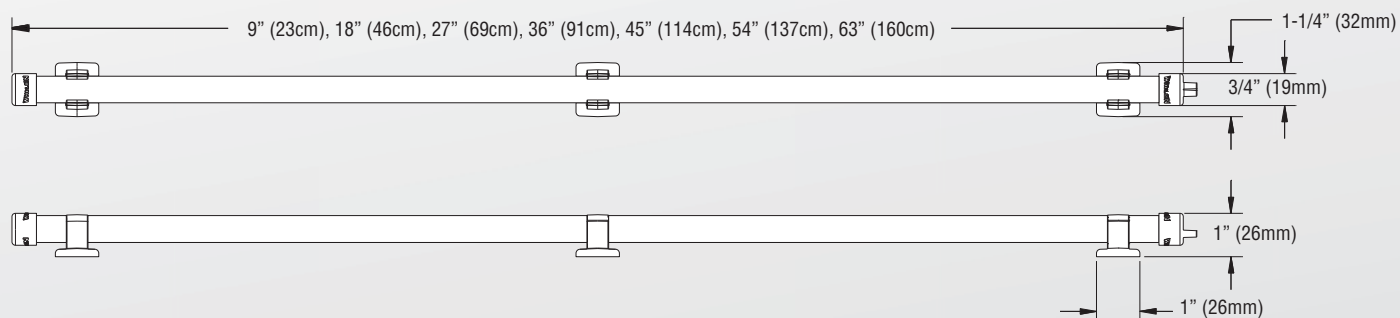
Screw mounted



"C" clip for snap-in mounting



Screw or double faced tape mounted



**WHELEN**<sup>®</sup>  
ENGINEERING COMPANY, INC.

51 Winthrop Road  
Chester, Connecticut 06412-0684  
(860) 526-9504 • Fax: (860) 526-4078  
www.whelen.com

Whelen Engineering reserves the right to upgrade and improve products without notice.  
© 2011 Whelen Engineering Company, Inc. Printed in U.S.A.  
NASCAR<sup>®</sup> is a registered trademark of the National Association for Stock Car Auto Racing, Inc  
Code No. 12425A - 1/11

*American Employees, American Manufacturing, American Pride!*