

**NEW PRODUCT**

**SIRENS  
SPEAKERS  
SWITCHES**

# PCC6W and PCC10W

**6 & 10 LIGHT SWITCHING POWER CONTROL CENTERS**

*Six and ten switch control centers provide complete control in a fully assembled, low cost package.*



**PCC6W**



**PCC10W**



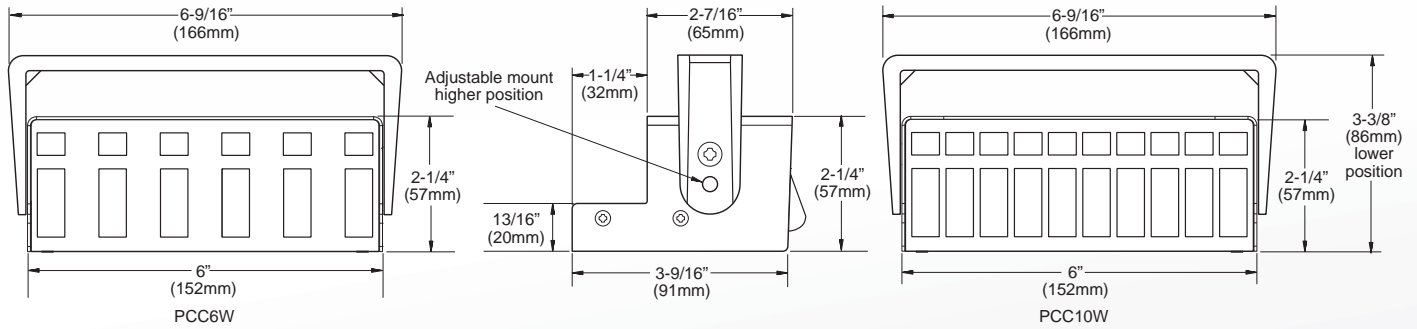
## FEATURES

- Ignition controlled LED backlighting
- Compact design
- PCC6W is fully wired with six 25 amp rocker style switches
- PCC10W is fully wired with ten 25 amp rocker style switches
- Single pole/single throw switches, rated at 25 amps peak, with 'active' LED indicators that light up to indicate function in use
- "Piano style" back with rear mounted "captive" terminal block for easy installations
- Backlighting legend windows for easy visibility in any light
- 72 commonly used press-on switch function label legend tabs standard
- Backlight circuit can be connected to vehicle dimmer switch to control backlight intensity
- Individual spade-type fuses conveniently located on rear mounted fuse strip
- Aftermarket console mounting recommended but includes an adjustable 2 position universal bail bracket strap mounting kit for over or under dash mounting
- Black epoxy-finished, steel housing
- Common ground post for ease of installing
- Console unit size 6" (152mm) L x 3-9/16" (91mm) D x 2-1/4" (57mm) H
- Size with adjustable bail bracket: 6-9/16" (166mm) L x 3-9/16" (91mm) D, x 3-3/8" (86mm) H (lower bracket position), 3-3/4" (96mm) H (higher bracket position)
- 12 VDC

**WHELEN®**

# PCC6W AND PCC10W POWER CONTROL CENTERS

## DIMENSIONS



## MODEL

**PCC6W** .....Six 25 amp switches.



## MODEL

**PCC10W** .....Ten 25 amp switches.



Rear view showing the "captive" terminal blocks for easy installations and individual spade-type fuse strip

# WHELEN<sup>®</sup>

ENGINEERING COMPANY, INC.

51 Winthrop Road  
Chester, Connecticut 06412-0684  
(860) 526-9504 • Fax: (860) 526-4078  
www.whelen.com

Whelen Engineering reserves the right to upgrade and improve products without notice.  
© 2011 Whelen Engineering Company, Inc. Printed in U.S.A.  
Code No. 10831D - 03/29/11

*American Employees, American Manufacturing, American Pride!*